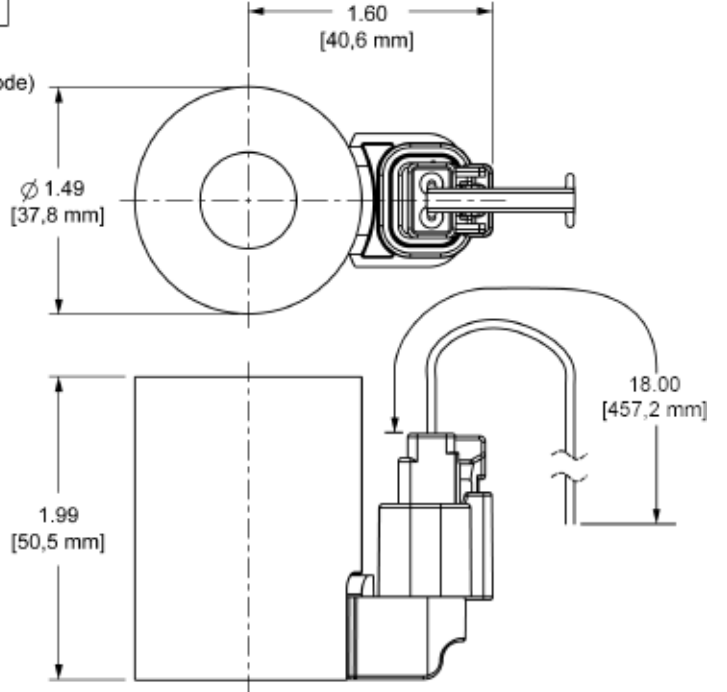


DC COIL
(Without TVS Diode)



This 740 Series Coil configuration uses a connector adapter kit to provide the required termination.