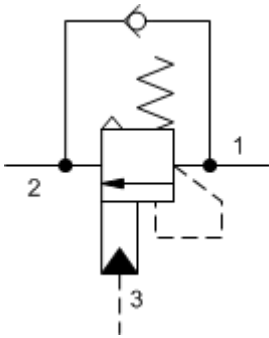
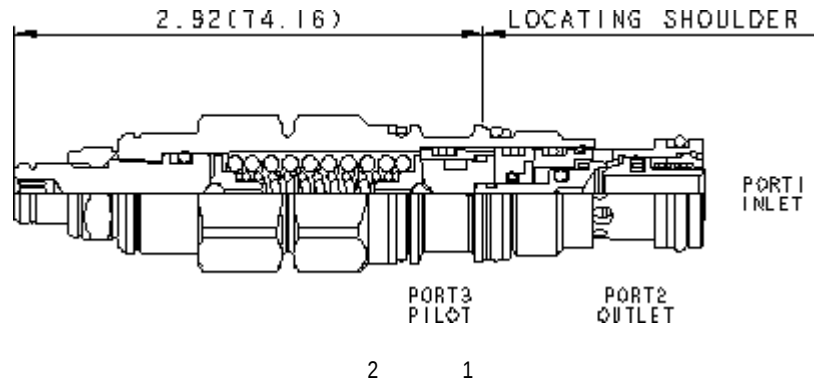


3-Port Atmospherically Referenced



3-Port Atmospherically Referenced, Non-adjustable



TECHNICAL DATA NOTE: DATA MAY VARY BY CONFIGURATION. SEE CONFIGURATION SECTION.

	T-11A
	1
	60 L/min.
	10:1
	320 bar
	420 bar
	Sealed
	2,8 bar
	0,3 cc/min.
	30 cc/min.
	-
	5
	>85% of setting
	22,2 mm
	41 - 47 Nm
	4 mm
	15 mm
	9 - 10 Nm
	0.20 kg.
Seal kit - Cartridge	Buna: 990-211-007
Seal kit - Cartridge	Viton: 990-211-006
Seal kit - Cartridge	Buna: 990-211-007
Seal kit - Cartridge	Viton: 990-211-006

OPTION SELECTION EXAMPLE: CACHLGN

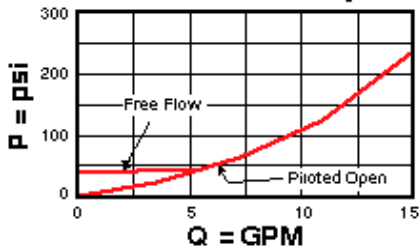
	(L)	(G)	(N)	MATERIAL/COATING
L	G	2000 - 6000 psi (140 - 420 bar), 4000 psi (280 bar)	N	Standard Material/Coating
		V		/AP /LH

TECHNICAL FEATURES

- 1.3
-
- 200psi 14bar
- 4000 1 0.07cc
- 85%
- Sun
-
-
- 3
- 3
- Sun

PERFORMANCE CURVES

Free Flow and Piloted Open Pressure Drop



Free Flow and Piloted Open Pressure Drop

