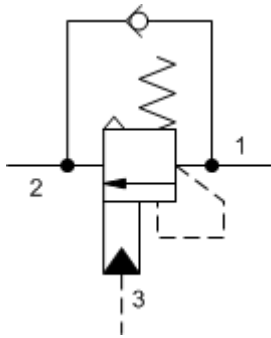
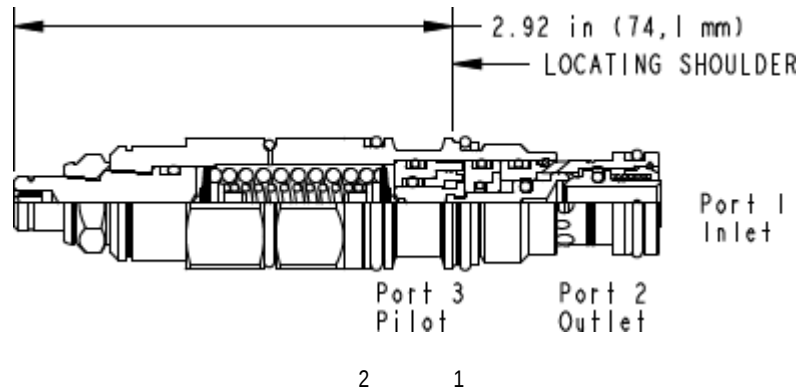


3-Port Atmospherically Referenced



3-Port Atmospherically Referenced, Non-adjustable



**TECHNICAL DATA** NOTE: DATA MAY VARY BY CONFIGURATION. SEE CONFIGURATION SECTION.

	T-11A
	1
	60 L/min.
	1:1
	215 bar
	280 bar
	2,8 bar
	0,3 cc/min.
	30 cc/min.
	5
	>85% of setting
	22,2 mm
	41 - 47 Nm
	4 mm
	15 mm
	9 - 10 Nm
	0.20 kg.
Seal kit - Cartridge	Buna: 990-211-007
Seal kit - Cartridge	Viton: 990-211-006
Seal kit - Cartridge	Buna: 990-211-007
Seal kit - Cartridge	Viton: 990-211-006

# OPTION SELECTION EXAMPLE: CACKLHN

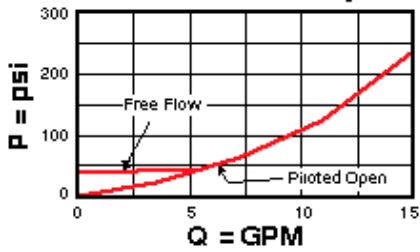
	(L)	(H)	(N)	MATERIAL/COATING
<b>L</b>	<b>H</b>	1000 - 4000 psi (70 - 280 bar), 3000 psi (210 bar)	<b>N</b>	Standard Material/Coating
		I 400 - 1500 psi (28 - 105 bar), 1000 psi (70 bar)	<b>V</b>	/LH -

## TECHNICAL FEATURES

- 1.3
- 
- 200psi 14bar
- 4000 1 0.07cc
- 85%
- Sun
- 
- 
- 3
- 3
- Sun

## PERFORMANCE CURVES

**Free Flow and Piloted Open Pressure Drop**



**Free Flow and Piloted Open Pressure Drop**

