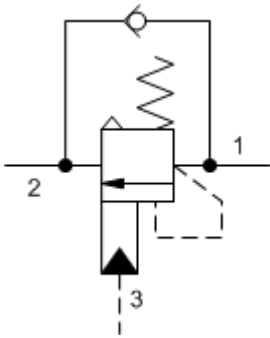
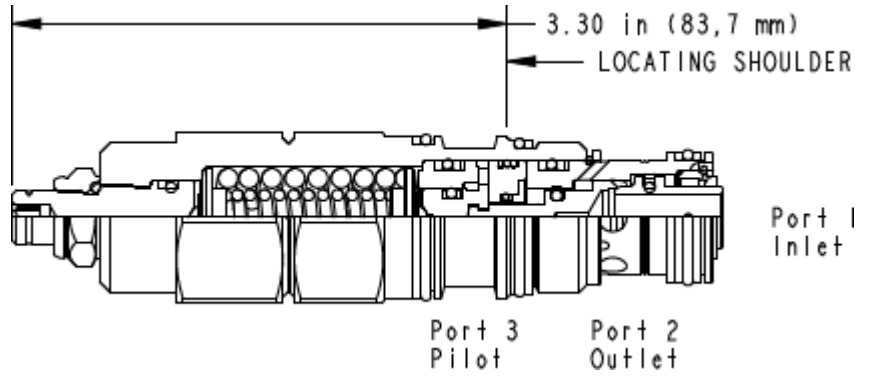


3-Port Atmospherically Referenced



3-Port Atmospherically Referenced, Non-adjustable



TECHNICAL DATA

NOTE: DATA MAY VARY BY CONFIGURATION. SEE CONFIGURATION SECTION.

	3:1
	215 bar
	280 bar
	1,7 bar
	0,3 cc/min.
	30 cc/min.
-	5
	>85% of setting
	15 mm
	9 - 10 Nm
Seal kit - Cartridge	Buna: 990-302-007
Seal kit - Cartridge	Viton: 990-302-006
Seal kit - Cartridge	Buna: 990-302-007
Seal kit - Cartridge	Viton: 990-302-006

CONFIGURATION OPTIONS

Model Code Example: CAEALHN

(L)	(H)	(N)	MATERIAL/COATING
L	H 1000 - 4000 psi (70 - 280 bar), 3000 psi (210 bar)	N	Standard Material/Coating
C -	I 400 - 1500 psi (28 - 105 bar), 1000 psi (70 bar)	V	/AP /LH -