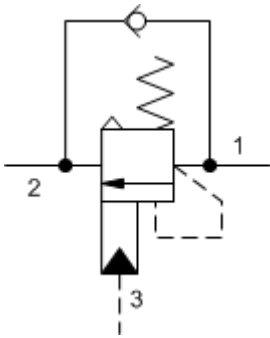
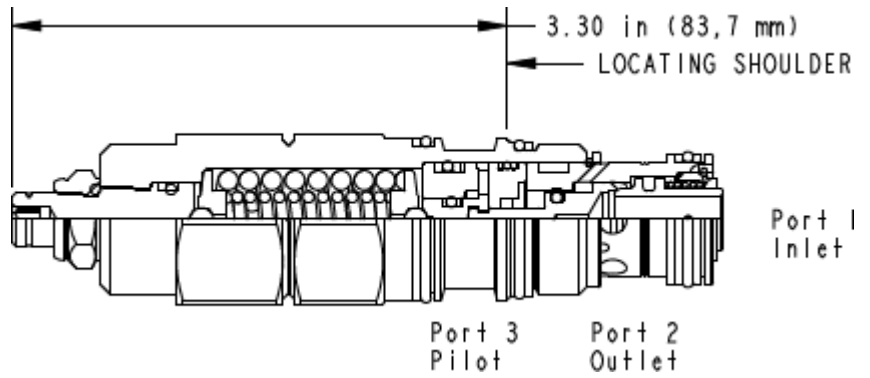


3-Port Atmosphericly Referenced



3-Port Atmosphericly Referenced, Non-adjustable



2 1 1 2 3

**TECHNICAL DATA** NOTE: DATA MAY VARY BY CONFIGURATION. SEE CONFIGURATION SECTION.

|                      |                    |
|----------------------|--------------------|
|                      | T-2A               |
|                      | 2                  |
|                      | 120 L/min.         |
|                      | 2:1                |
|                      | 320 bar            |
|                      | 420 bar            |
|                      | 1,7 bar            |
|                      | 0,3 cc/min.        |
|                      | 30 cc/min.         |
|                      | -                  |
|                      | 5                  |
|                      |                    |
|                      | >85% of setting    |
|                      | 28,6 mm            |
|                      | 61 - 68 Nm         |
|                      | 4 mm               |
|                      | 15 mm              |
|                      | 9 - 10 Nm          |
|                      | 0.38 kg.           |
| Seal kit - Cartridge | Buna: 990-302-007  |
| Seal kit - Cartridge | Viton: 990-302-006 |
| Seal kit - Cartridge | Buna: 990-302-007  |
| Seal kit - Cartridge | Viton: 990-302-006 |

# OPTION SELECTION EXAMPLE: CAELLGN

(L)

(G)

(N)

**L**

**G** 2000 - 6000 psi (140 - 420 bar), 4000 psi (280 bar)

**N**

**F** 1000 - 2500 psi (70 - 175 bar), 2000 psi (140 bar)

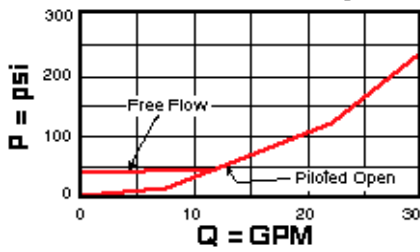
**V**

## TECHNICAL FEATURES

- 1.3
- 
- 200psi 14bar
- 4000 1 0.07cc
- 85%
- Sun
- 
- 
- 3
- 3
- Sun

## PERFORMANCE CURVES

**Free Flow and Piloted Open Pressure Drop**



**Free Flow and Piloted Open Pressure Drop**

