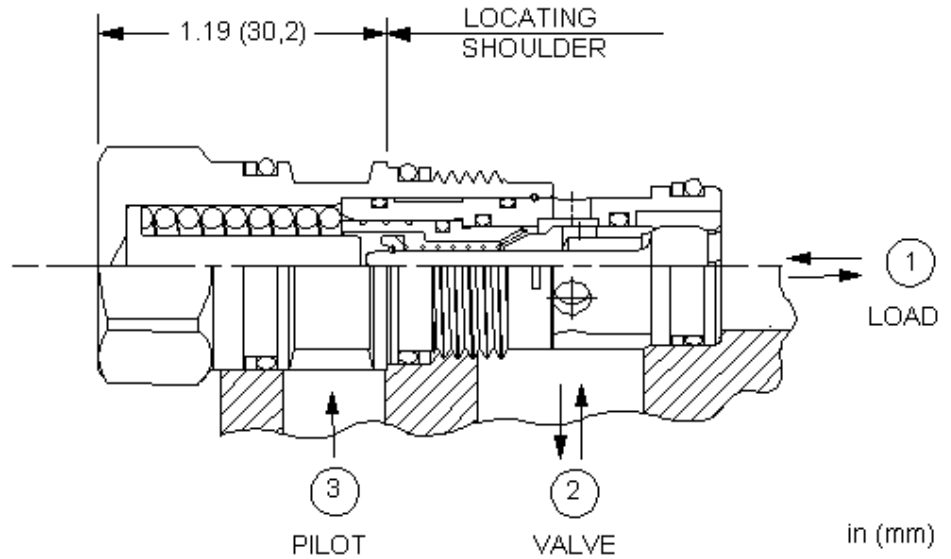


3-Port Non-vented, Fixed Setting



CONFIGURATION

N	Fixed Pressure Range	2900 - 3500 psi (200 - 245 bar)
N	Seal Material	Buna-N
	Material/Coating	

Fixed-setting, 3-port counterbalance valves with pilot-assist function similarly to the adjustable versions except the fixed setting is pre-set to a nominal value. These fixed-setting valves are meant to control an overrunning load. The check valve allows free flow from the directional valve (port 2) to the load (port 1) while a direct-acting, pilot-assisted relief valve controls flow from port 1 to port 2. Pilot assist at port 3 lowers the effective setting of the relief valve at a rate determined by the pilot ratio. Other names for this valve include motion control valve and over-center valve.

TECHNICAL DATA

Pilot Ratio	1.5:1
Maximum Recommended Load Pressure	See Technical Features
Check Cracking Pressure	25 psi
Factory Pressure Settings Established at	2 in ³ /min.
Maximum Valve Leakage at Reseat	5 drops/min.
Seal kit - Cartridge	Buna: 990-011-007
Seal kit - Cartridge	Polyurethane: 990-011-002
Seal kit - Cartridge	Viton: 990-011-006

CONFIGURATION OPTIONS

Model Code Example: **CBBBXNN**

FIXED PRESSURE RANGE	(N) SEAL MATERIAL	(N) MATERIAL/COATING
N 2900 - 3500 psi (200 - 245 bar)	N Buna-N	Standard Material/Coating
P 2250 - 2680 psi (155 - 185 bar)	V Viton	/LH Mild Steel, Zinc-Nickel