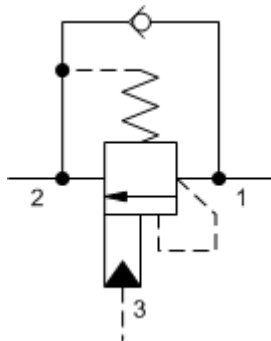
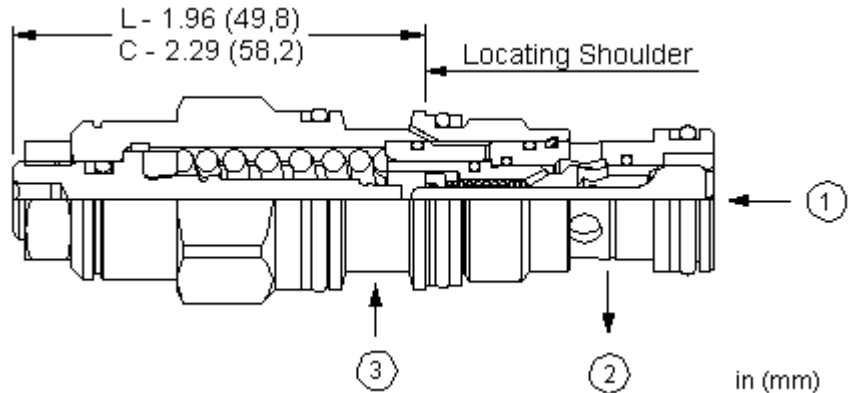


3-Port Non-vented



3-Port Non-vented, Fixed Setting



Counterbalance valves with pilot assist are meant to control an overrunning load. The check valve allows free flow from the directional valve (port 2) to the load (port 1) while a direct-acting, pilot-assisted relief valve controls flow from port 1 to port 2. Pilot assist at port 3 lowers the effective setting of the relief valve at a rate determined by the pilot ratio. Other names for this valve include motion control valve and over-center valve.

TECHNICAL DATA NOTE: DATA MAY VARY BY CONFIGURATION. SEE CONFIGURATION SECTION.

Pilot Ratio	4.5:1
Maximum Recommended Load Pressure at Maximum Setting	3850 psi
Maximum Setting	5000 psi
Adjustment - No. of CCW Turns from Min. to Max. Setting	3.75
Factory Pressure Settings Established at	2 in ³ /min.
Maximum Valve Leakage at Reseat	5 drops/min.
Reseat	>85% of setting
Locknut Hex Size	9/16 in.
Locknut Torque	80 - 90 lbf in.
Seal kit - Cartridge	Buna: 990-011-007
Seal kit - Cartridge	Polyurethane: 990-011-002
Seal kit - Cartridge	Viton: 990-011-006

CONFIGURATION OPTIONS

Model Code Example: CBBGLJNV

CONTROL	(L)	FUNCTIONAL SETTING RANGE	(J)	SEAL MATERIAL	(N)	MATERIAL/COATING
L	Standard Screw Adjustment	J	2000 - 5000 psi w/25 psi Check (140 - 350 bar w/ 1,7 bar Check), 3000 psi (210 bar) Standard Setting	N	Buna-N	Standard Material/Coating
C	Tamper Resistant - Factory Set	V	Viton	IAP	Stainless Steel, Passivated	
				LH	Mild Steel, Zinc-Nickel	
		C	2000 - 5000 psi w/4 psi Check (140 - 350 bar w/ 0,3 bar Check), 3000 psi (210 bar) Standard Setting			
		D	1000 - 2500 psi w/4 psi Check (70 - 175 bar w/ 0,3 bar Check), 2000 psi (140 bar) Standard Setting			
		K	1000 - 2500 psi w/25 psi Check (70 - 175 bar w/ 1,7 bar Check), 2000 psi (140 bar) Standard Setting			