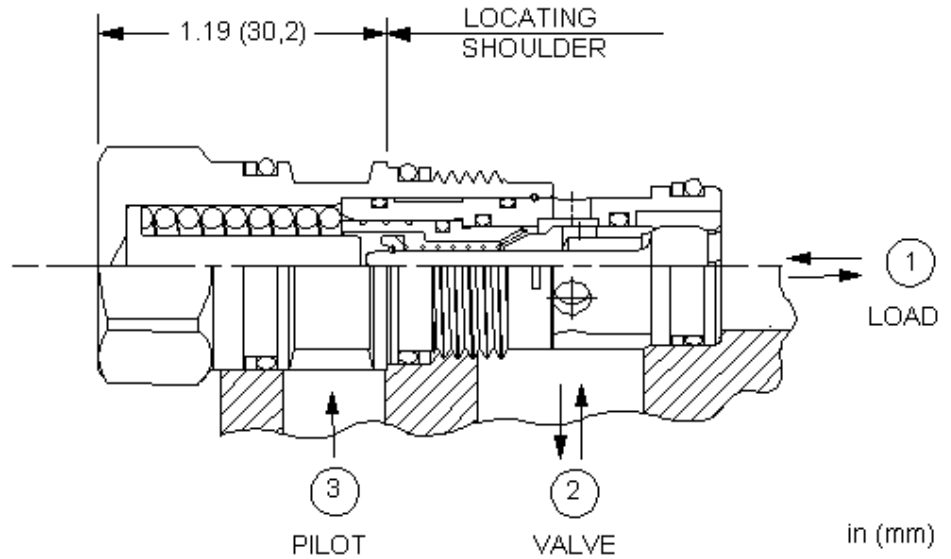


3-Port Non-vented, Fixed Setting



CONFIGURATION

M Fixed Pressure Range	4700 - 5600 psi (325 - 390 bar)
N Seal Material	Buna-N
Material/Coating	

Fixed-setting, 3-port counterbalance valves with pilot-assist function similarly to the adjustable versions except the fixed setting is pre-set to a nominal value. These fixed-setting valves are meant to control an overrunning load. The check valve allows free flow from the directional valve (port 2) to the load (port 1) while a direct-acting, pilot-assisted relief valve controls flow from port 1 to port 2. Pilot assist at port 3 lowers the effective setting of the relief valve at a rate determined by the pilot ratio. Other names for this valve include motion control valve and over-center valve.

TECHNICAL DATA

Pilot Ratio	2.3:1
Maximum Recommended Load Pressure	See Technical Features
Check Cracking Pressure	25 psi
Factory Pressure Settings Established at	2 in ³ /min.
Maximum Valve Leakage at Reseat	5 drops/min.
Seal kit - Cartridge	Buna: 990-011-007
Seal kit - Cartridge	Polyurethane: 990-011-002
Seal kit - Cartridge	Viton: 990-011-006

CONFIGURATION OPTIONS

Model Code Example: **CBBLXMN**

FIXED PRESSURE RANGE	(M)	SEAL MATERIAL	(N)	MATERIAL/COATING
M 4700 - 5600 psi (325 - 390 bar)		N Buna-N		Standard Material/Coating
V 3200 - 3800 psi (220 - 260 bar)		V Viton		/LH Mild Steel, Zinc-Nickel
X 3500 - 4200 psi (245 - 290 bar)				
Z 4125 - 4900 psi (285 - 340 bar)				