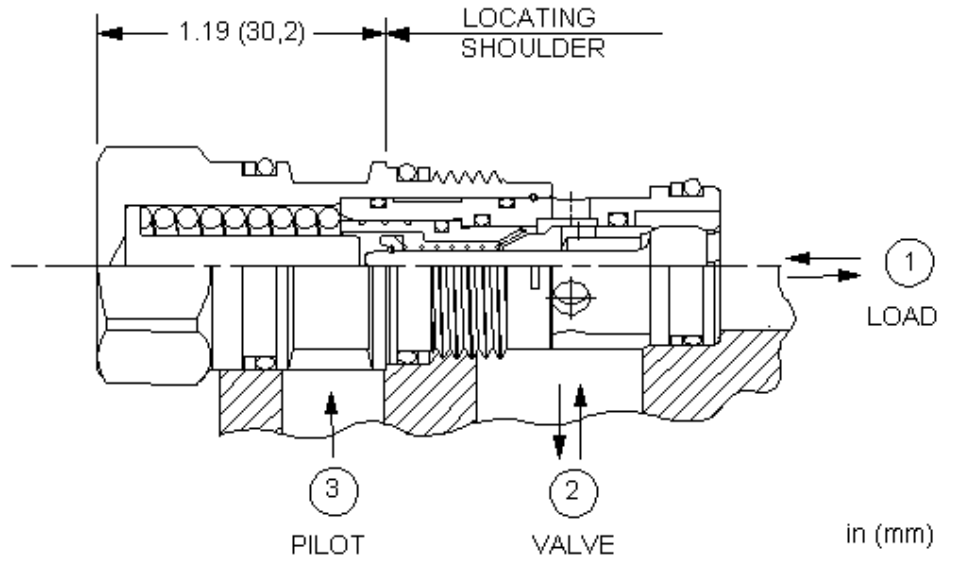


3-Port Non-vented, Fixed Setting



CONFIGURATION

N	2900 - 3500 psi (200 - 245 bar)
N	
	Material/Coating

TECHNICAL DATA

	1.5:1
	See Technical Features
	1,7 bar
	0,3 cc/min.
	30 cc/min.
Seal kit - Cartridge	Buna: 990-011-007
Seal kit - Cartridge	Polyurethane: 990-011-002
Seal kit - Cartridge	Viton: 990-011-006

CONFIGURATION OPTIONS

Model Code Example: CBCBXNN

(N)

(N)

MATERIAL/COATING

N	2900 - 3500 psi (200 - 245 bar)
P	2250 - 2680 psi (155 - 185 bar)

N	
V	

	Standard Material/Coating
/LH	-