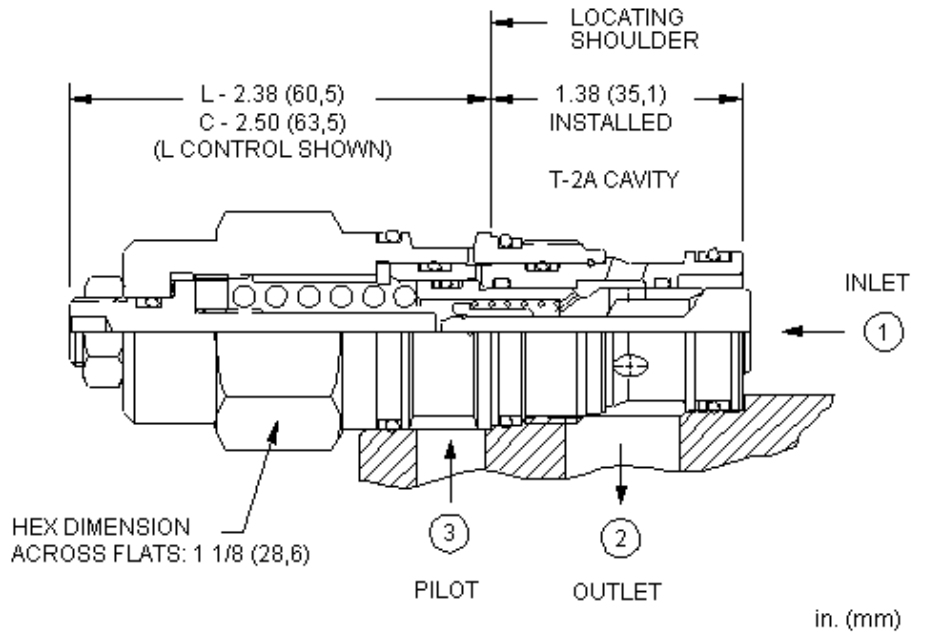


3-Port Non-vented, Fixed Setting



2

1

1

2

3

**TECHNICAL DATA** NOTE: DATA MAY VARY BY CONFIGURATION. SEE CONFIGURATION SECTION.

	T-2A
	2
	30 L/min.
	4.5:1
	270 bar
	350 bar
	0,3 cc/min.
	30 cc/min.
	3.75
	>85% of setting
	28,6 mm
	61 - 68 Nm
	4 mm
	15 mm
	9 - 10 Nm
	0,30 kg
Seal kit - Cartridge	Buna: 990-202-007
Seal kit - Cartridge	Polyurethane: 990-002-002
Seal kit - Cartridge	Viton: 990-202-006

# OPTION SELECTION EXAMPLE: CBDGLJNV

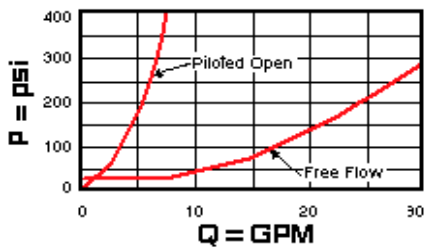
	(L)	(J)	(N)	MATERIAL/COATING
<b>L</b>	<b>J</b>	<b>N</b>	Standard Material/Coating	
<b>C</b>	<b>V</b>	/AP		
<b>C</b>	<b>C</b>	<b>D</b>	/LH	
<b>C</b>	<b>D</b>	<b>K</b>		

## TECHNICAL FEATURES

- 1.3
- 
- 
- 200psi 14bar
- 2 1+ x
- 85%
- Sun
- 4psi 0.3bar
- 
- 3
- Sun

## PERFORMANCE CURVES

**Free Flow and Piloted Open Pressure Drop**



**Free Flow and Piloted Open Pressure Drop**

