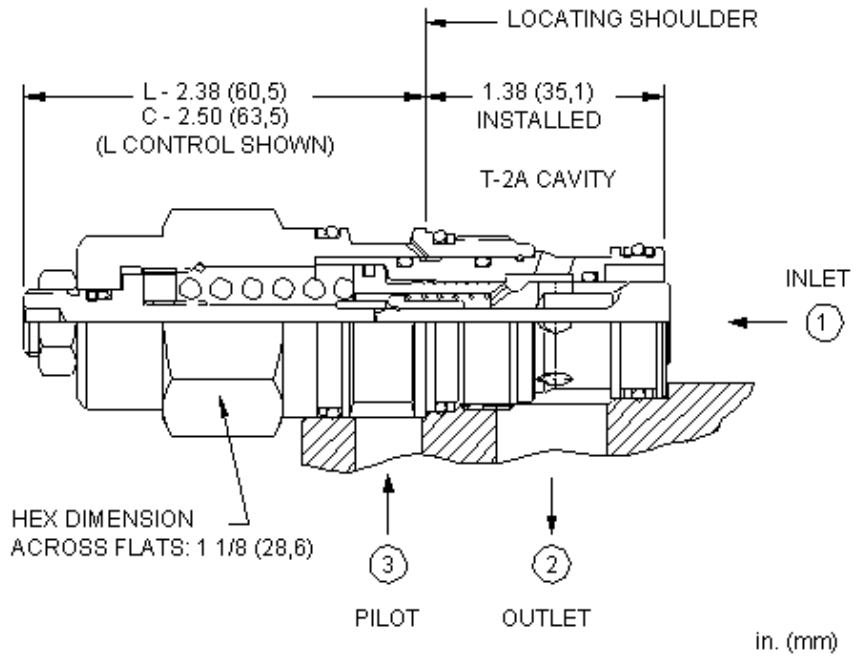


3-Port Non-vented, Fixed Setting



2

1

1

2

3

TECHNICAL DATA NOTE: DATA MAY VARY BY CONFIGURATION. SEE CONFIGURATION SECTION.

	T-2A
	2
	30 L/min.
	270 bar
	350 bar
	30 cc/min.
	3.75
	28,6 mm
	61 - 68 Nm
	4 mm
	15 mm
	9 - 10 Nm
	0,30 kg
Seal kit - Cartridge	Buna: 990-202-007
Seal kit - Cartridge	Polyurethane: 990-002-002
Seal kit - Cartridge	Viton: 990-202-006

OPTION SELECTION EXAMPLE: CBDHLJNV

	(L)	(J)	(N)	MATERIAL/COATING
L	J	J	N	Standard Material/Coating
C	-	J 2000 - 5000 psi 25 psi (140 - bar 1.7 bar), 3000 psi (210 b C 2000 - 5000 psi 4 psi (140 - 350 bar 0.3 bar), 3000 psi (210 bar) D 1000 - 2500 psi 4 psi (70 - 175 bar 0.3 bar), 2000 psi (140 bar) K 1000 - 2500 psi 25 psi (70 - 175 bar 1.7 bar), 2000 psi (140 bar)	V	/LH -

TECHNICAL FEATURES

- 1.3
- 200psi 14bar
- 2 1+ x
- 85%
- Sun
- 4psi 0.3bar
- 3
- Sun

PERFORMANCE CURVES

