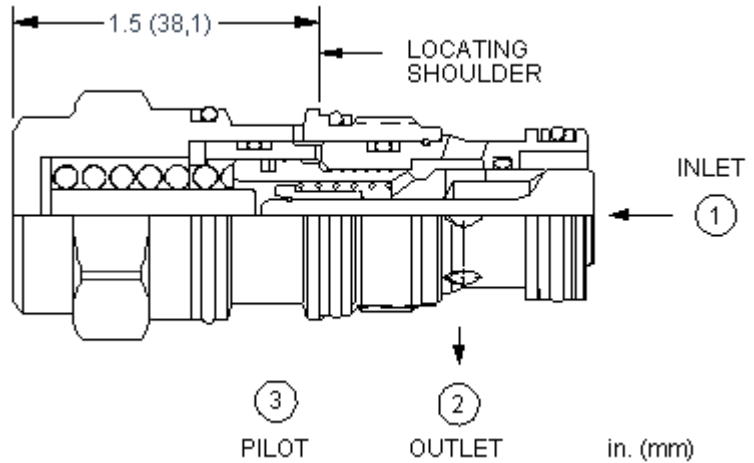


3-Port Non-vented, Fixed Setting



CONFIGURATION

N	2900 - 3500 psi (200 - 245 bar)
N	
	Material/Coating

TECHNICAL DATA

	3:1
	See Technical Features
	0,3 cc/min.
	30 cc/min.
	>85% of setting
Seal kit - Cartridge	Buna: 990-202-007
Seal kit - Cartridge	Polyurethane: 990-002-002
Seal kit - Cartridge	Viton: 990-202-006

CONFIGURATION OPTIONS

Model Code Example: CBEAXNN

(N)

(N)

MATERIAL/COATING

N 2900 - 3500 psi (200 - 245 bar)
P 2250 - 2680 psi (155 - 185 bar)

N
V

Standard Material/Coating
/LH -