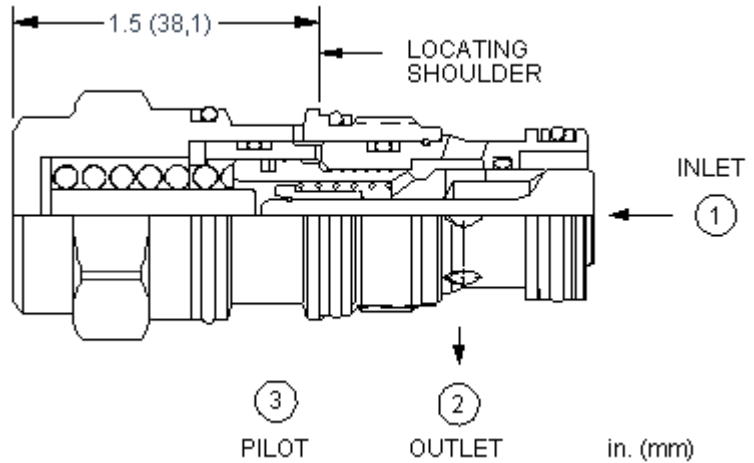


3-Port Non-vented, Fixed Setting



**CONFIGURATION**

N	2900 - 3500 psi (200 - 245 bar)
N	
	Material/Coating

**TECHNICAL DATA** NOTE: DATA MAY VARY BY CONFIGURATION. SEE CONFIGURATION SECTION.

	T-2A
	2
	120 L/min.
	3:1
	See Technical Features
	0,3 cc/min.
	30 cc/min.
	>85% of setting
	28,6 mm
	61 - 68 Nm
	0.23 kg.
Seal kit - Cartridge	Buna: 990-202-007
Seal kit - Cartridge	Polyurethane: 990-002-002
Seal kit - Cartridge	Viton: 990-202-006

# OPTION SELECTION EXAMPLE: CBEAXNN

	(N)	(N) MATERIAL/COATING
N 2900 - 3500 psi (200 - 245 bar)	N	Standard Material/Coating
P 2250 - 2680 psi (155 - 185 bar)	V	/LH -

## TECHNICAL FEATURES

- N                    2200psi 150bar    N                    3500psi 245bar
  - P                    1700psi 120bar    P                    1680psi 185bar
  - “   ”
  - 
  - 
  - 
  - 3
  - 1000psi    2 3                    2in<sup>3</sup>/min    32cc/min 70bar
  - 2                    1+    x
  - Sun
- ±50psi 3.5bar

## PERFORMANCE CURVES

