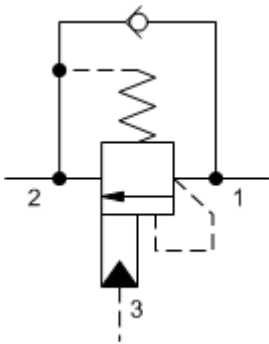
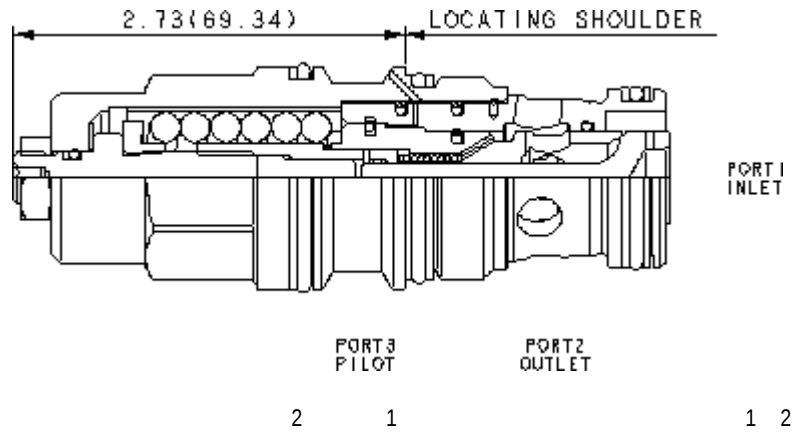


3-Port Non-vented



3-Port Non-vented, Fixed Setting



TECHNICAL DATA NOTE: DATA MAY VARY BY CONFIGURATION. SEE CONFIGURATION SECTION.

	1.5:1
	215 bar
	280 bar
	0,3 cc/min.
	30 cc/min.
	3.75
	>85% of setting
	15 mm
	9 - 10 Nm
Seal kit - Cartridge	Buna: 990-017-007
Seal kit - Cartridge	Polyurethane: 990-017-002
Seal kit - Cartridge	Viton: 990-017-006
Seal kit - Cartridge	Buna: 990-017-007
Seal kit - Cartridge	Polyurethane: 990-017-002
Seal kit - Cartridge	Viton: 990-017-006

CONFIGURATION OPTIONS

Model Code Example: **CBFBLHN**

(L)	(H)	(N)	MATERIAL/COATING
L	H 1000 - 4000 psi 25 psi (70 - 280 bar 1.7 bar), 3000 psi (210 bar)	N V	Standard Material/Coating /LH -
	A 1000 - 4000 psi 4 psi (70 - 280 bar 0.3 bar), 3000 psi (210 bar)		
	B 400 - 1500 psi 4 psi (28 - 105 bar 0.3 bar), 1000 psi (70 bar)		
	I 400 - 1500 psi 25 psi (28 - 105 bar 1.7 bar), 1000 psi (70 bar)		