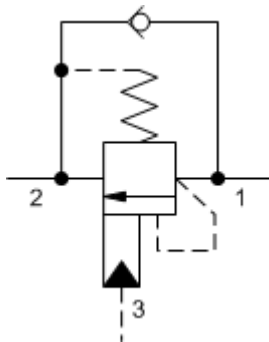
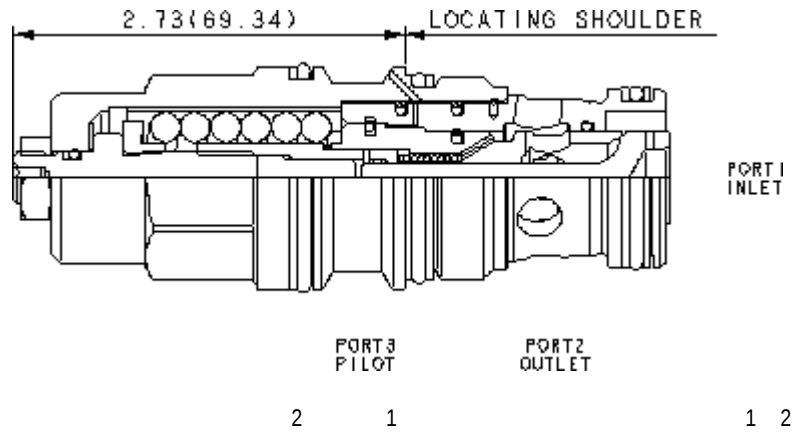


3-Port Non-vented



3-Port Non-vented, Fixed Setting



TECHNICAL DATA NOTE: DATA MAY VARY BY CONFIGURATION. SEE CONFIGURATION SECTION.

	T-17A
	3
	160 L/min.
	1.5:1
	215 bar
	280 bar
	0,3 cc/min.
	30 cc/min.
	3.75
	>85% of setting
	31,8 mm
	203 - 217 Nm
	4 mm
	15 mm
	9 - 10 Nm
	0.62 kg.
Seal kit - Cartridge	Buna: 990-017-007
Seal kit - Cartridge	Polyurethane: 990-017-002
Seal kit - Cartridge	Viton: 990-017-006
Seal kit - Cartridge	Buna: 990-017-007
Seal kit - Cartridge	Polyurethane: 990-017-002
Seal kit - Cartridge	Viton: 990-017-006

OPTION SELECTION EXAMPLE: CBFBLHN

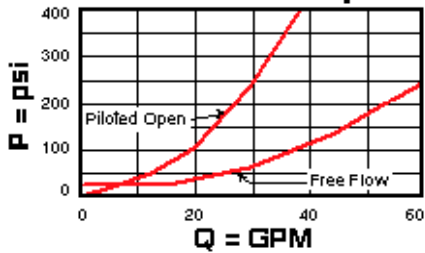
	(L)	(H)	(N)	MATERIAL/COATING
L	H	H	N	Standard Material/Coating
C	-	1000 - 4000 psi 25 psi (70 - 280 bar 1.7 bar), 3000 psi (210 bar)	V	/LH -
		A 1000 - 4000 psi 4 psi (70 - 280 bar 0.3 bar), 3000 psi (210 bar)		
		B 400 - 1500 psi 4 psi (28 - 105 bar 0.3 bar), 1000 psi (70 bar)		
		I 400 - 1500 psi 25 psi (28 - 105 bar 1.7 bar), 1000 psi (70 bar)		

TECHNICAL FEATURES

- 1.3
- 200psi 14bar
- 2 1+ x
- 85%
- Sun
- 4psi 0.3bar
- 3
- Sun

PERFORMANCE CURVES

Free Flow and Piloted Open Pressure Drop



Free Flow and Piloted Open Pressure Drop

