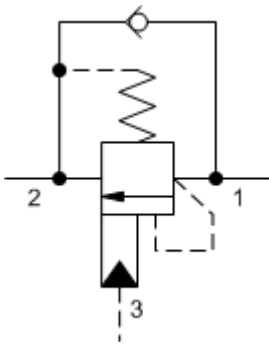
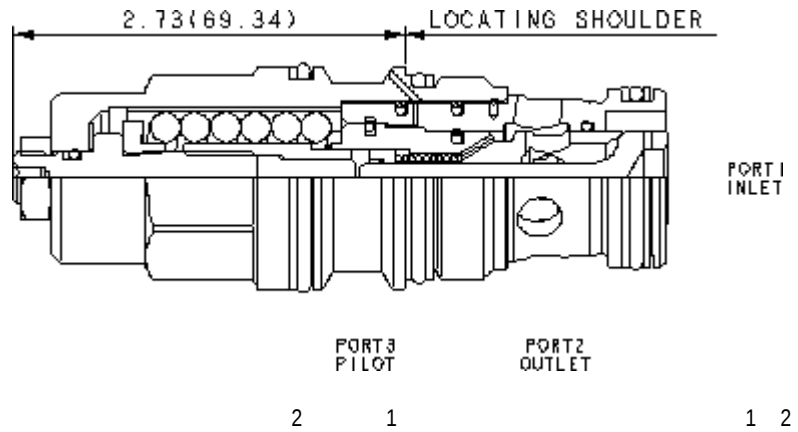


3-Port Non-vented



3-Port Non-vented, Fixed Setting



**TECHNICAL DATA** NOTE: DATA MAY VARY BY CONFIGURATION. SEE CONFIGURATION SECTION.

	T-17A
	3
	160 L/min.
	2.3:1
	270 bar
	350 bar
	0,3 cc/min.
	30 cc/min.
	3.75
	>85% of setting
	31,8 mm
	203 - 217 Nm
	4 mm
	15 mm
	9 - 10 Nm
	0.62 kg.
Seal kit - Cartridge	Buna: 990-017-007
Seal kit - Cartridge	Polyurethane: 990-017-002
Seal kit - Cartridge	Viton: 990-017-006
Seal kit - Cartridge	Buna: 990-017-007
Seal kit - Cartridge	Polyurethane: 990-017-002
Seal kit - Cartridge	Viton: 990-017-006

# OPTION SELECTION EXAMPLE: CBFLJN

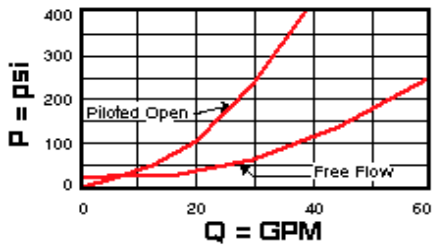
	(L)	(J)	(N)	MATERIAL/COATING
L	J	2000 - 5000 psi 25 psi (140 - bar 1.7 bar), 3000 psi (210 b	N	Standard Material/Coating
		C 2000 - 5000 psi 4 psi (140 - 350 bar 0.3 bar), 3000 psi (210 bar)	V	/LH -
		D 1000 - 2500 psi 4 psi (70 - 175 bar 0.3 bar), 2000 psi (140 bar)		

## TECHNICAL FEATURES

- 1.3
- 
- 200psi 14bar
- 2 1+ x
- 85%
- Sun
- 4psi 0.3bar
- 
- 3
- Sun

## PERFORMANCE CURVES

**Free Flow and Piloted Open Pressure Drop**



**Free Flow and Piloted Open Pressure Drop**

