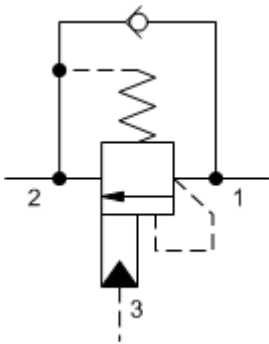
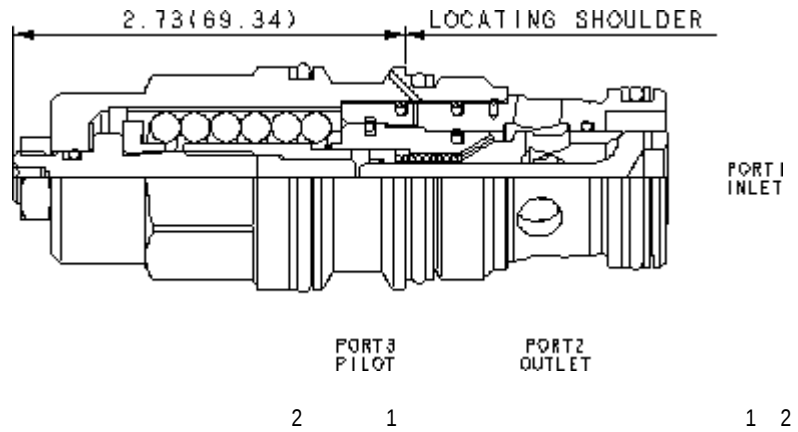


3-Port Non-vented



3-Port Non-vented, Fixed Setting



**TECHNICAL DATA** NOTE: DATA MAY VARY BY CONFIGURATION. SEE CONFIGURATION SECTION.

	2.3:1
	270 bar
	350 bar
	0,3 cc/min.
	30 cc/min.
-	3.75
	>85% of setting
	15 mm
	9 - 10 Nm
Seal kit - Cartridge	Buna: 990-017-007
Seal kit - Cartridge	EPDM: 990-017-014
Seal kit - Cartridge	Polyurethane: 990-017-002
Seal kit - Cartridge	Viton: 990-017-006
Seal kit - Cartridge	Buna: 990-017-007
Seal kit - Cartridge	EPDM: 990-017-014
Seal kit - Cartridge	Polyurethane: 990-017-002
Seal kit - Cartridge	Viton: 990-017-006

**CONFIGURATION OPTIONS**

**Model Code Example: CBGLLJN**

(L)	(J)	(N)	MATERIAL/COATING
<b>L</b>	<b>J</b> 2000 - 5000 psi 25 psi (140 - bar 1.7 bar), 3000 psi (210 b	<b>N</b>	Standard Material/Coating
<b>C</b> -	<b>C</b> 2000 - 5000 psi 4 psi (140 - 350 bar 0.3 bar), 3000 psi (210 bar)	<b>E</b> EPDM	/AP
	<b>D</b> 1000 - 2500 psi 4 psi (70 - 175 bar 0.3 bar), 2000 psi (140 bar)	<b>V</b>	/LH -
	<b>K</b> 1000 - 2500 psi 25 psi (70 - 175 bar 1.7 bar), 2000 psi (140 bar)		