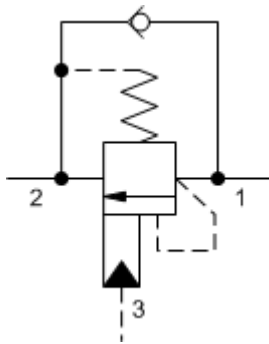
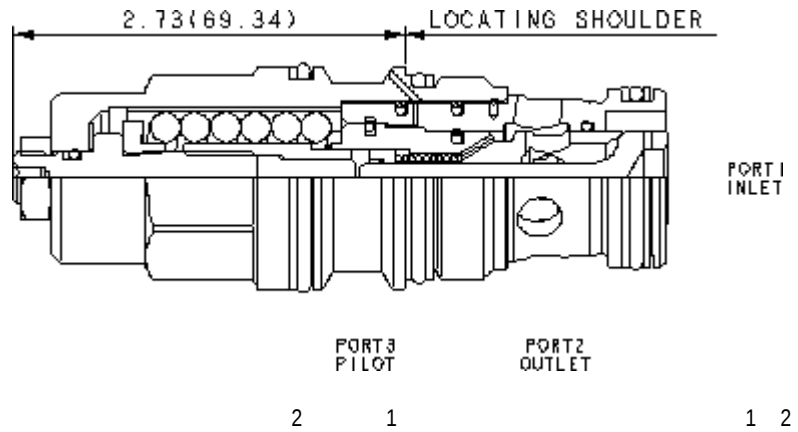


3-Port Non-vented



3-Port Non-vented, Fixed Setting



**TECHNICAL DATA** NOTE: DATA MAY VARY BY CONFIGURATION. SEE CONFIGURATION SECTION.

	T-17A
	3
	240 L/min.
	2.3:1
	270 bar
	350 bar
	Sealed
	0,3 cc/min.
	30 cc/min.
	3.75
	>85% of setting
	31,8 mm
	203 - 217 Nm
	4 mm
	15 mm
	9 - 10 Nm
	0.62 kg.
Seal kit - Cartridge	Buna: 990-017-007
Seal kit - Cartridge	EPDM: 990-017-014
Seal kit - Cartridge	Polyurethane: 990-017-002
Seal kit - Cartridge	Viton: 990-017-006
Seal kit - Cartridge	Buna: 990-017-007
Seal kit - Cartridge	EPDM: 990-017-014
Seal kit - Cartridge	Polyurethane: 990-017-002
Seal kit - Cartridge	Viton: 990-017-006

# OPTION SELECTION EXAMPLE: CBGLLJN

	(L)	(J)	(N)	MATERIAL/COATING
<b>L</b>	<b>J</b>	<b>N</b>	Standard Material/Coating	
<b>C</b>	<b>C</b>	<b>E</b>	<b>V</b>	/AP
<b>C</b>	<b>D</b>	<b>E</b>	<b>V</b>	/LH
<b>C</b>	<b>K</b>	<b>E</b>	<b>V</b>	/LH

## TECHNICAL FEATURES

- 1.3
- 200psi 14bar
- 2 1+ x
- 85%
- EPDM
- Sun
- 4psi 0.3bar
- 3
- Sun

## PERFORMANCE CURVES

