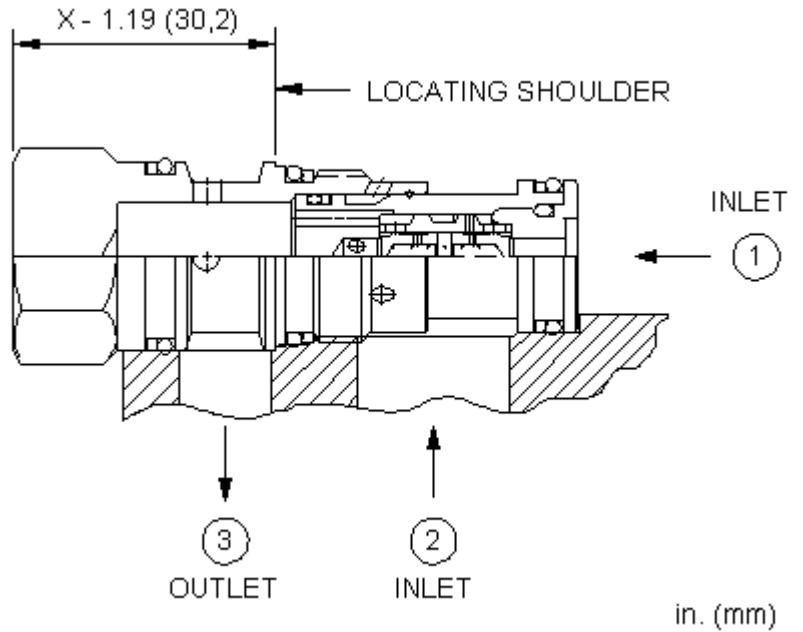


**CONFIGURATION**

X \_\_\_\_\_  
 \_\_\_\_\_  
 \_\_\_\_\_  
 Material/Coating \_\_\_\_\_



3

**TECHNICAL DATA**

	350 bar
110 SUS (24 cSt)	0,3 cc/min.
Seal kit - Cartridge	Buna: 990-011-007
Seal kit - Cartridge	Polyurethane: 990-011-002
Seal kit - Cartridge	Viton: 990-011-006
Seal kit - Cartridge	Buna: 990-011-007
Seal kit - Cartridge	Polyurethane: 990-011-002
Seal kit - Cartridge	Viton: 990-011-006

**CONFIGURATION OPTIONS**

**Model Code Example: CDABXN**

(X)	(B)	(V)	MATERIAL/COATING	(/LH)
<b>X</b>	<b>B</b> 15 psi (1 bar)	<b>V</b>	<b>/LH</b> -	
A -4 SAE		N	/AP	Standard Material/Coating
B 1/4 BSPP				