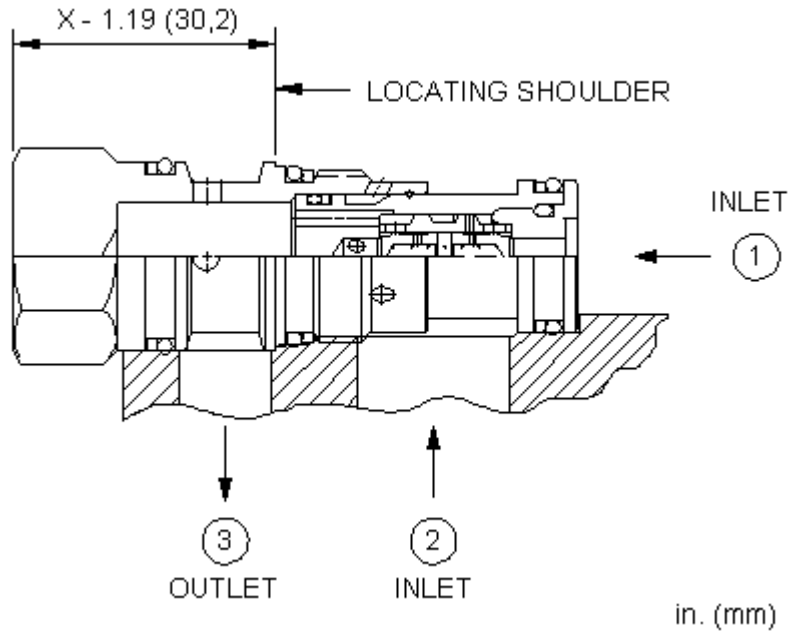


**CONFIGURATION**

X	Control	Not Adjustable
	Cracking Pressure	
	Seal Material	
	Material/Coating	



**TECHNICAL DATA** NOTE: DATA MAY VARY BY CONFIGURATION. SEE CONFIGURATION SECTION.

cavidad	T-11A
Series	1
Capacity	10 L/min.
Maximum Operating Pressure	350 bar
Maximum Valve Leakage at 110 SUS (24 cSt)	0,3 cc/min.
Valve Hex Size	22,2 mm
Valve Installation Torque	41 - 47 Nm
Model Weight	0,15 kg
Seal kit - Cartridge	Buna: 990-011-007
Seal kit - Cartridge	Polyurethane: 990-011-002
Seal kit - Cartridge	Viton: 990-011-006

## OPTION SELECTION EXAMPLE: CDABXN

CONTROL	(X) CRACKING PRESSURE	(B) SEAL MATERIAL	(V) MATERIAL/COATING
<b>X</b> Not Adjustable	<b>B</b> 15 psi (1 bar)	<b>V</b> Viton	<b>/LH</b> Mild Steel, Zinc-Nickel
A Auxiliary External -4 SAE Port		N Buna-N	<b>/AP</b> Stainless Steel, Passivated
B Auxiliary External 1/4 BSPP Port			Standard Material/Coating

### PERFORMANCE CURVES

