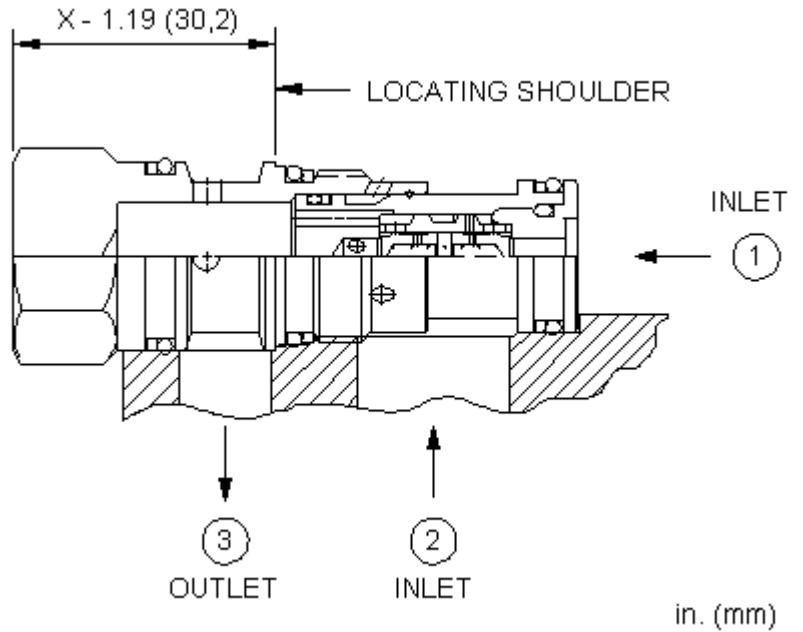


CONFIGURATION

X _____

 Material/Coating _____



3

TECHNICAL DATA NOTE: DATA MAY VARY BY CONFIGURATION. SEE CONFIGURATION SECTION.

	T-11A
	1
	10 L/min.
	350 bar
110 SUS (24 cSt)	0,3 cc/min.
	22,2 mm
	41 - 47 Nm
	0,15 kg
Seal kit - Cartridge	Buna: 990-011-007
Seal kit - Cartridge	Polyurethane: 990-011-002
Seal kit - Cartridge	Viton: 990-011-006
Seal kit - Cartridge	Buna: 990-011-007
Seal kit - Cartridge	Polyurethane: 990-011-002
Seal kit - Cartridge	Viton: 990-011-006

OPTION SELECTION EXAMPLE: CDABXN

	(X)	(B)	(V)	MATERIAL/COATING	(/LH)
X		B 15 psi (1 bar)	V	/LH	-
A	-4 SAE		N	/AP	
B	1/4 BSPP				Standard Material/Coating

TECHNICAL FEATURES

-
-
- Sun

PERFORMANCE CURVES

