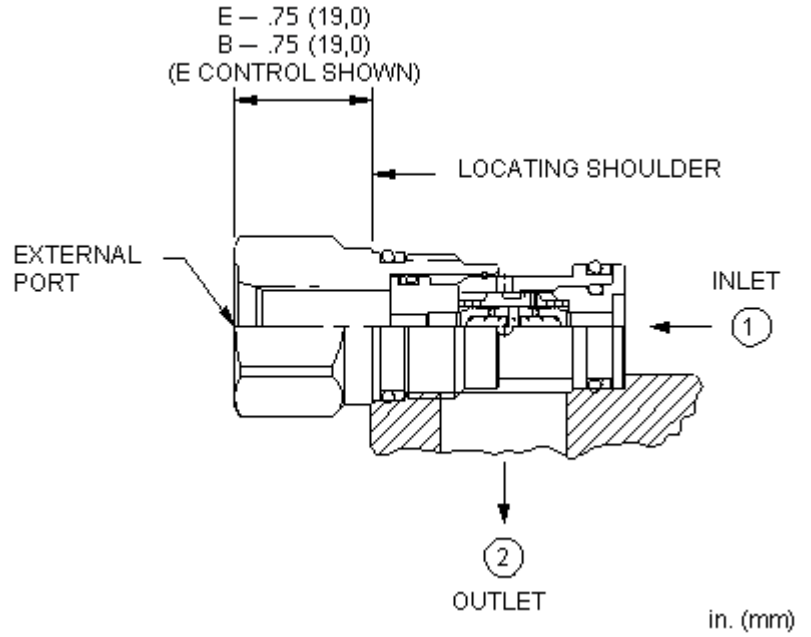


CONFIGURATION

-
-
-



2

TECHNICAL DATA NOTE: DATA MAY VARY BY CONFIGURATION. SEE CONFIGURATION SECTION.

	T-13A
	1
	10 L/min.
	350 bar
110 SUS (24 cSt)	0,3 cc/min.
	22,2 mm
	41 - 47 Nm
	0,15 kg
Seal kit - Cartridge	Buna: 990-010-007
Seal kit - Cartridge	Polyurethane: 990-010-002
Seal kit - Cartridge	Viton: 990-010-006
Seal kit - Cartridge	Buna: 990-010-007
Seal kit - Cartridge	Polyurethane: 990-010-002
Seal kit - Cartridge	Viton: 990-010-006

OPTION SELECTION EXAMPLE: CDACN

(E)

(B)

(V)

E 4-SAE
B 1/4 BSPP

B 15 psi (1 bar)

V
N

TECHNICAL FEATURES

-
-
- Sun

PERFORMANCE CURVES

