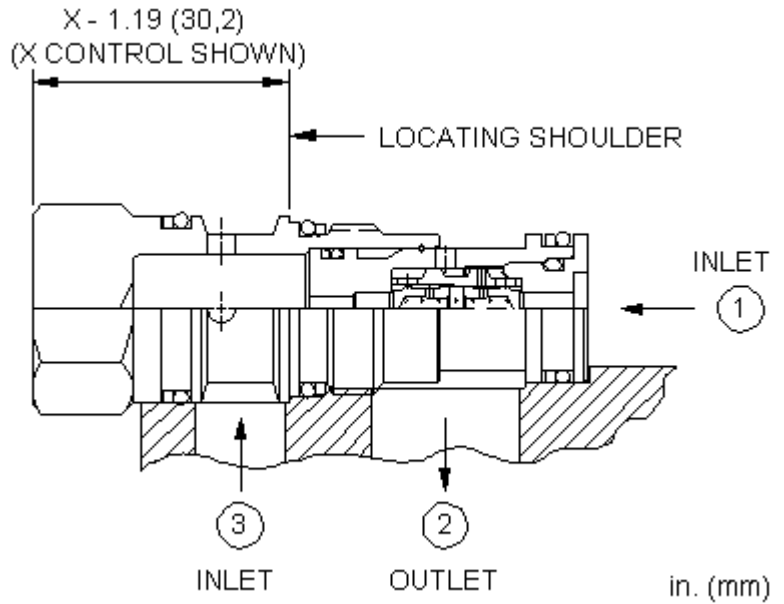


CONFIGURATION

X _____

 Material/Coating _____



2

TECHNICAL DATA

	350 bar
110 SUS (24 cSt)	0,3 cc/min.
Seal kit - Cartridge	Buna: 990-011-007
Seal kit - Cartridge	Polyurethane: 990-011-002
Seal kit - Cartridge	Viton: 990-011-006

CONFIGURATION OPTIONS

Model Code Example: CDADXN

(X)	(B)	(V)	MATERIAL/COATING
X	B 15 psi (1 bar)	V	Standard Material/Coating
		N	IAP