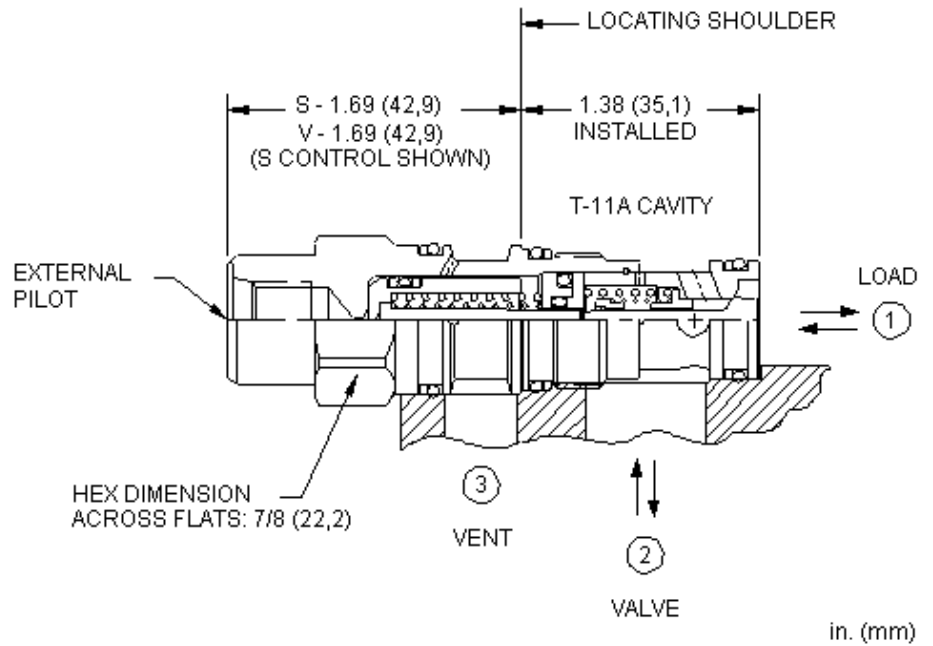


CONFIGURATION

V Control	External 1/4 NPTF Pilot Port, Vent to Port 3
C Cracking Pressure	30 psi (2 bar)
N Seal Material	Buna-N



TECHNICAL DATA

Maximum Operating Pressure	350 bar
Pilot Ratio	3:1
Maximum Valve Leakage at 110 SUS (24 cSt)	0,07 cc/min.
Seal kit - Cartridge	Buna: 990-011-007
Seal kit - Cartridge	Polyurethane: 990-011-002
Seal kit - Cartridge	Viton: 990-011-006
Seal kit - Cartridge	Buna: 990-011-007
Seal kit - Cartridge	Polyurethane: 990-011-002
Seal kit - Cartridge	Viton: 990-011-006

CONFIGURATION OPTIONS

Model Code Example: CKCIVCN

CONTROL

(V)

CRACKING PRESSURE

(C)

SEAL MATERIAL

(N)

- V** External 1/4 NPTF Pilot Port, Vent to Port 3
- S** External 4-SAE Pilot Port, Vent to Port 3

- C** 30 psi (2 bar)
- F** 100 psi (7 bar)

- N** Buna-N
- V** Viton