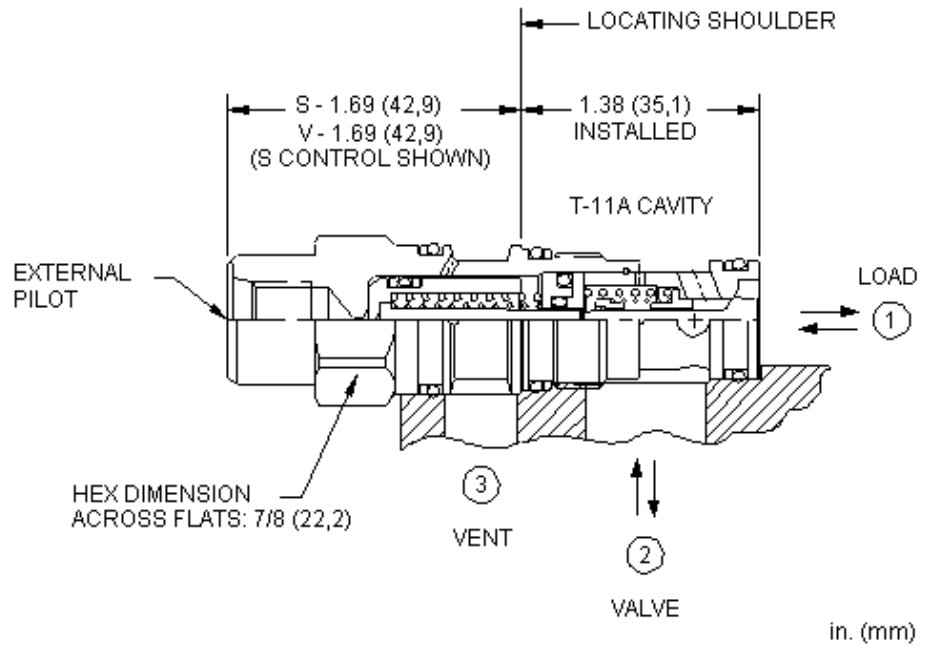


**CONFIGURATION**

<b>V</b> Control	External 1/4 NPTF Pilot Port, Vent to Port 3
<b>C</b> Cracking Pressure	30 psi (2 bar)
<b>N</b> Seal Material	Buna-N



**TECHNICAL DATA** NOTE: DATA MAY VARY BY CONFIGURATION. SEE CONFIGURATION SECTION.

cavidad	T-11A
Series	1
Capacity	60 L/min.
Maximum Operating Pressure	350 bar
Pilot Ratio	3:1
Maximum Valve Leakage at 110 SUS (24 cSt)	0,07 cc/min.
Valve Hex Size	22,2 mm
Valve Installation Torque	41 - 47 Nm
Model Weight	0.14 kg.
Seal kit - Cartridge	Buna: 990-011-007
Seal kit - Cartridge	Polyurethane: 990-011-002
Seal kit - Cartridge	Viton: 990-011-006
Seal kit - Cartridge	Buna: 990-011-007
Seal kit - Cartridge	Polyurethane: 990-011-002
Seal kit - Cartridge	Viton: 990-011-006

# OPTION SELECTION EXAMPLE: CKCIVCN

CONTROL

(V) CRACKING PRESSURE

(C) SEAL MATERIAL

(N)

- V External 1/4 NPTF Pilot Port, Vent to Port 3
- S External 4-SAE Pilot Port, Vent to Port 3

- C 30 psi (2 bar)
- F 100 psi (7 bar)

- N Buna-N
- V Viton

## PERFORMANCE CURVES

