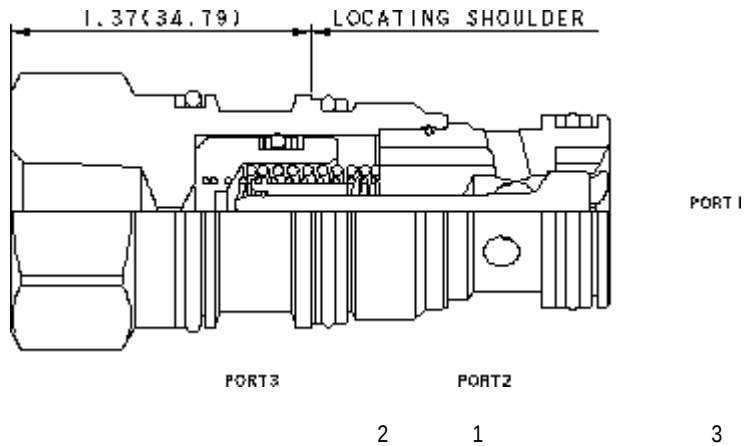


**CONFIGURATION**

P	1/4 NPTF	3
C	30 psi (2 bar)	
N		
Material/Coating		



**TECHNICAL DATA**

	350 bar
	3:1
110 SUS (24 cSt)	0,07 cc/min.
Seal kit - Cartridge	Buna: 990-202-007
Seal kit - Cartridge	Polyurethane: 990-002-002
Seal kit - Cartridge	Viton: 990-202-006
Seal kit - Cartridge	Buna: 990-202-007
Seal kit - Cartridge	Polyurethane: 990-002-002
Seal kit - Cartridge	Viton: 990-202-006

**CONFIGURATION OPTIONS**

**Model Code Example: CKEDPCN**

(P)	(C)	(N)	MATERIAL/COATING	(/LH)
P 1/4 NPTF 3	C 30 psi (2 bar)	N	/LH -	
L	A 4 psi (0,3 bar)	V	/AP	
X	B 15 psi (1 bar)			Standard Material/Coating
	D 50 psi (3,5 bar)			
	E 75 psi (5 bar)			
	F 100 psi (7 bar)			