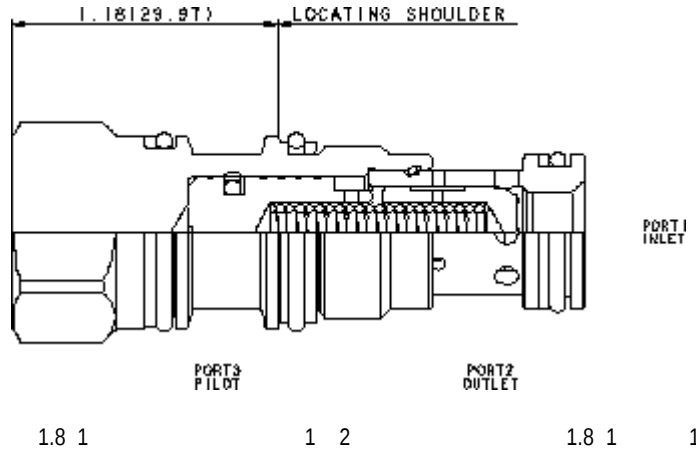


**CONFIGURATION**

X	
E	75 psi (5 bar)
N	
	Material/Coating



**TECHNICAL DATA**

	350 bar
	1.8:1
110 SUS (24 cSt)	0,07 cc/min.
Seal kit - Cartridge	Buna: 990-011-007
Seal kit - Cartridge	EPDM: 990-011-014
Seal kit - Cartridge	Polyurethane: 990-011-002
Seal kit - Cartridge	Viton: 990-011-006

**CONFIGURATION OPTIONS**

**Model Code Example: CODAXEN**

(X)	(E)	(N)	MATERIAL/COATING	(/LH)
X	E 75 psi (5 bar)	N	/LH -	
	A 4 psi (0,3 bar)	E EPDM	/AP	
	B 15 psi (1 bar)	V	Standard Material/Coating	
	C 30 psi (2 bar)			
	D 50 psi (3,5 bar)			
	F 100 psi (7 bar)			
	G 150 psi (10,5 bar)			