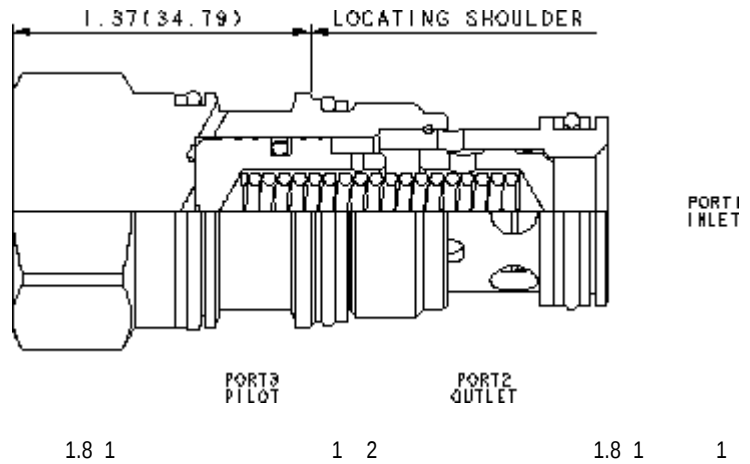


CONFIGURATION

X	
E	75 psi (5 bar)
N	
	Material/Coating



TECHNICAL DATA

	350 bar
	1.8:1
110 SUS (24 cSt)	0,07 cc/min.
Seal kit - Cartridge	Buna: 990-202-007
Seal kit - Cartridge	EPDM: 990-202-014
Seal kit - Cartridge	Polyurethane: 990-002-002
Seal kit - Cartridge	Viton: 990-202-006
Seal kit - Cartridge	Buna: 990-202-007
Seal kit - Cartridge	EPDM: 990-202-014
Seal kit - Cartridge	Polyurethane: 990-002-002
Seal kit - Cartridge	Viton: 990-202-006

CONFIGURATION OPTIONS

Model Code Example: COFAXEN

(X)	(E)	(N)	MATERIAL/COATING	(/LH)
X	E 75 psi (5 bar)	N	/LH -	
L	A 4 psi (0,3 bar)	E EPDM	/AP	
	B 15 psi (1 bar)	V	Standard Material/Coating	
	C 30 psi (2 bar)			
	D 50 psi (3,5 bar)			
	F 100 psi (7 bar)			
	J 135 psi (9,5 bar)			