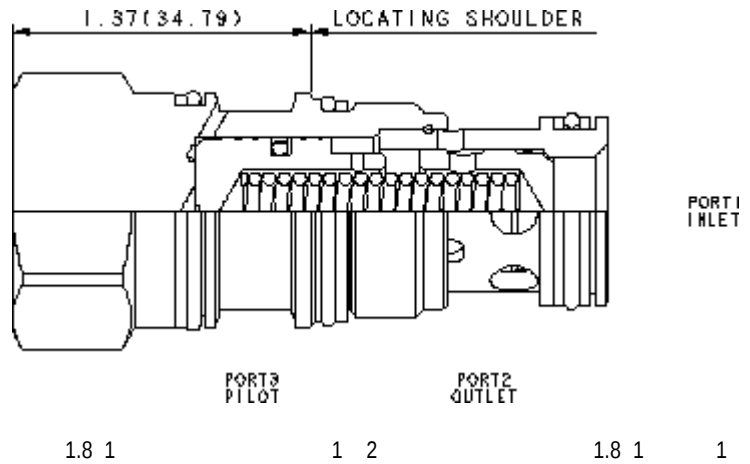


**CONFIGURATION**

X	
E	75 psi (5 bar)
N	
Material/Coating	



**TECHNICAL DATA** NOTE: DATA MAY VARY BY CONFIGURATION. SEE CONFIGURATION SECTION.

	T-2A
	2
	160 L/min.
	350 bar
	1.8:1
110 SUS (24 cSt)	0,07 cc/min.
	28,6 mm
	61 - 68 Nm
	0.23 kg.
Seal kit - Cartridge	Buna: 990-202-007
Seal kit - Cartridge	EPDM: 990-202-014
Seal kit - Cartridge	Polyurethane: 990-002-002
Seal kit - Cartridge	Viton: 990-202-006
Seal kit - Cartridge	Buna: 990-202-007
Seal kit - Cartridge	EPDM: 990-202-014
Seal kit - Cartridge	Polyurethane: 990-002-002
Seal kit - Cartridge	Viton: 990-202-006

## OPTION SELECTION EXAMPLE: COFAXEN

	(X)	(E)	(N)	MATERIAL/COATING	(/LH)
<b>X</b>	<b>E</b>	<b>75 psi (5 bar)</b>	<b>N</b>	<b>/LH</b>	<b>-</b>
L	A	4 psi (0,3 bar)	E	EPDM	/AP
	B	15 psi (1 bar)	V		Standard Material/Coating
	C	30 psi (2 bar)			
	D	50 psi (3,5 bar)			
	F	100 psi (7 bar)			
	J	135 psi (9,5 bar)			

### TECHNICAL FEATURES

- 1.8:1                      1000psi 70bar                      1800psi 125bar    1
- 2
- 2    1
- 
- CO\*A                                      CO\*B                                      CO\*A                                      CO\*A
- EPDM
- "/AP"
- Sun

### PERFORMANCE CURVES

