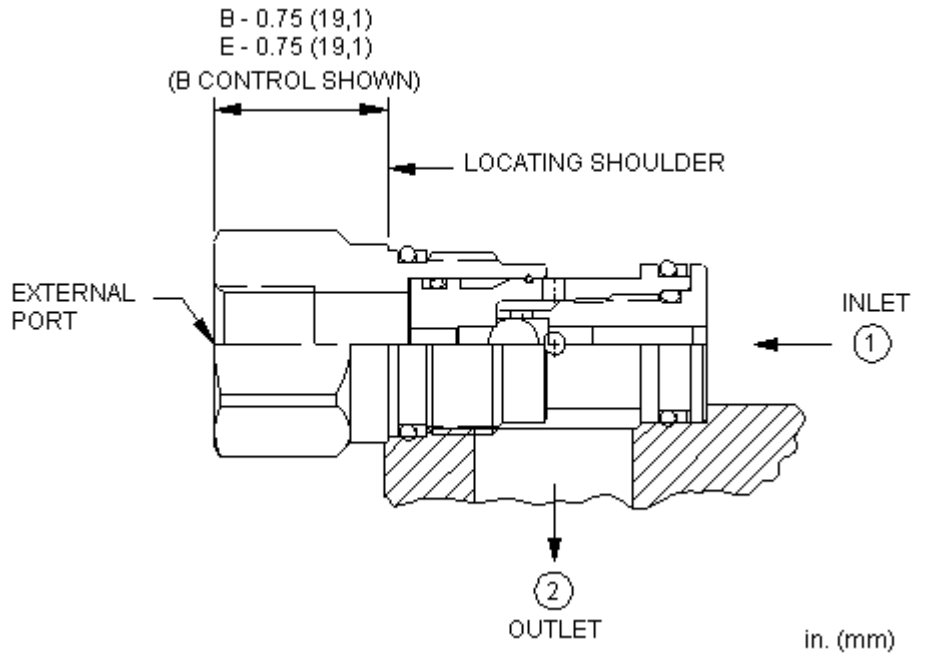


CONFIGURATION

Control
Adjustment Range
Seal Material
Material/Coating



TECHNICAL DATA

Maximum Operating Pressure	350 bar
Maximum Valve Leakage at 110 SUS (24 cSt)	0,3 cc/min.
Seal kit - Cartridge	Buna: 990-010-007
Seal kit - Cartridge	Polyurethane: 990-010-002
Seal kit - Cartridge	Viton: 990-010-006
Seal kit - Cartridge	Buna: 990-010-007
Seal kit - Cartridge	Polyurethane: 990-010-002
Seal kit - Cartridge	Viton: 990-010-006

CONFIGURATION OPTIONS

Model Code Example: **CSACXN**

CONTROL	(E)	ADJUSTMENT RANGE	(X)	SEAL MATERIAL	(V)	MATERIAL/COATING
E External 4-SAE Port		X -		V Viton		Standard Material/Coating
B External 1/4 BSPP Port				N Buna-N		/AP Stainless Steel, Passivated