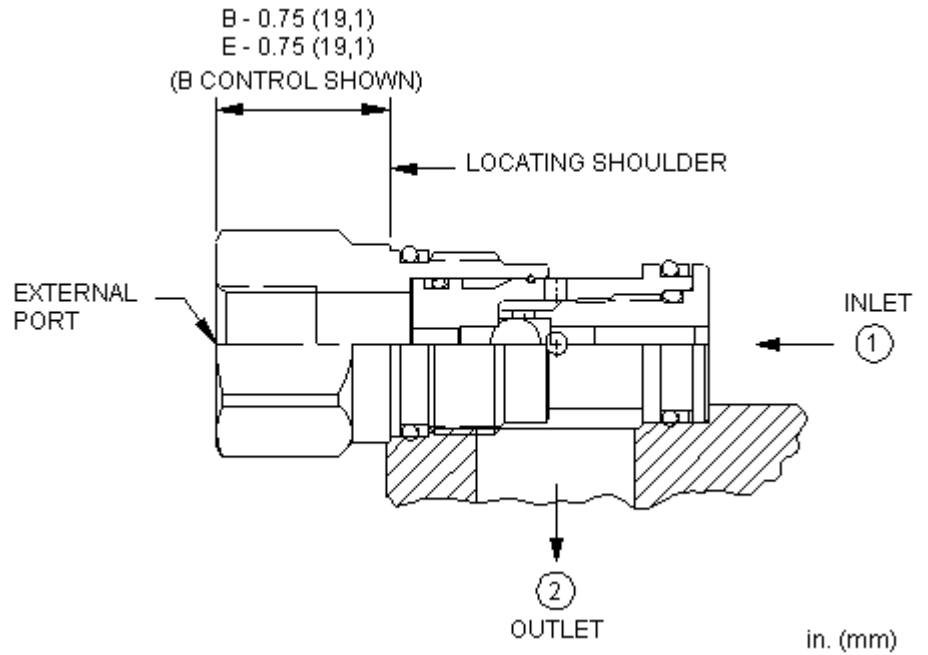


CONFIGURATION

Control
Adjustment Range
Seal Material
Material/Coating



TECHNICAL DATA NOTE: DATA MAY VARY BY CONFIGURATION. SEE CONFIGURATION SECTION.

cavidad	T-13A
Series	1
Capacity	10 L/min.
Maximum Operating Pressure	350 bar
Maximum Valve Leakage at 110 SUS (24 cSt)	0,3 cc/min.
Valve Hex Size	22,2 mm
Valve Installation Torque	41 - 47 Nm
Model Weight	0,10 kg
Seal kit - Cartridge	Buna: 990-010-007
Seal kit - Cartridge	Polyurethane: 990-010-002
Seal kit - Cartridge	Viton: 990-010-006
Seal kit - Cartridge	Buna: 990-010-007
Seal kit - Cartridge	Polyurethane: 990-010-002
Seal kit - Cartridge	Viton: 990-010-006

OPTION SELECTION EXAMPLE: CSACXN

CONTROL	(E) ADJUSTMENT RANGE	(X) SEAL MATERIAL	(V) MATERIAL/COATING
E External 4-SAE Port	X -	V Viton	Standard Material/Coating
B External 1/4 BSPP Port		N Buna-N	/AP Stainless Steel, Passivated

PERFORMANCE CURVES

