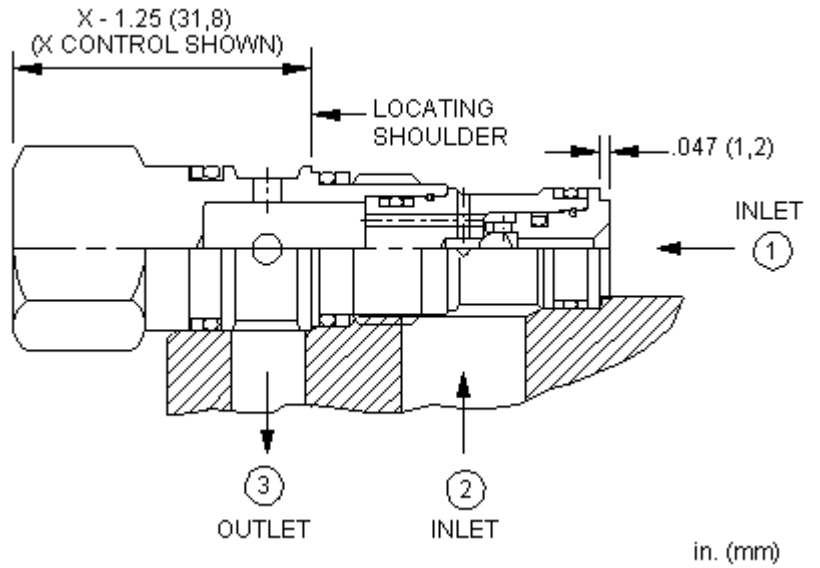


CONFIGURATION

B	1/4 BSPP
X	-
Material/Coating	



3

TECHNICAL DATA

	350 bar
110 SUS (24 cSt)	0,3 cc/min.
Seal kit - Cartridge	Buna: 990-163-007
Seal kit - Cartridge	Polyurethane: 990-163-002
Seal kit - Cartridge	Viton: 990-163-006

CONFIGURATION OPTIONS

Model Code Example: CSAXBXXN

(B)	(X)	(V)	MATERIAL/COATING	(/LH)
B 1/4 BSPP	X -	V	/LH -	
X		N	/AP	

Standard Material/Coating