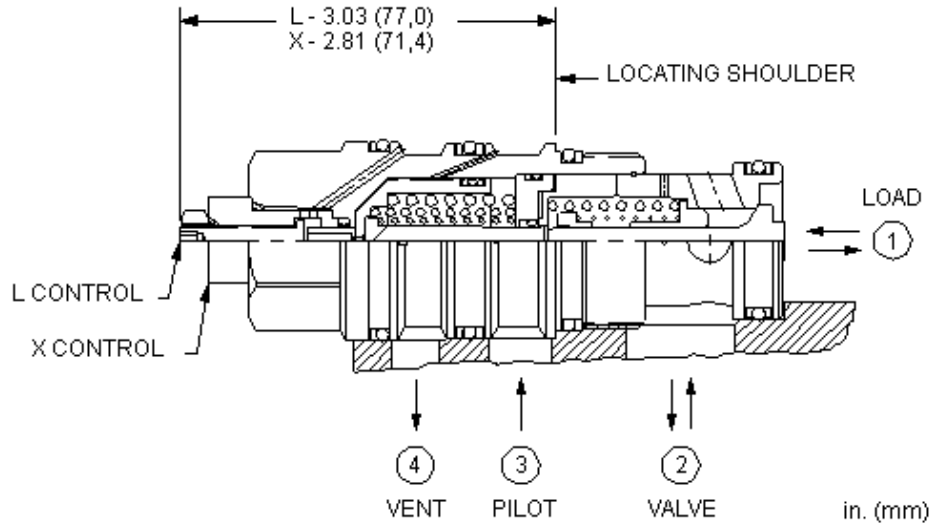


CONFIGURATION

X	
C	30 psi (2 bar)
E	EPDM
Material/Coating	



2 1 3 1 2

TECHNICAL DATA NOTE: DATA MAY VARY BY CONFIGURATION. SEE CONFIGURATION SECTION.

	T-23A
	3
	240 L/min.
	350 bar
	3:1
110 SUS (24 cSt)	0,07 cc/min.
	31,8 mm
	203 - 217 Nm
	3,2 mm
	11,1 mm
	0,55 kg
Seal kit - Cartridge	Buna: 990-023-007
Seal kit - Cartridge	Polyurethane: 990-023-002
Seal kit - Cartridge	Viton: 990-023-006
Seal kit - Cartridge	Buna: 990-023-007
Seal kit - Cartridge	Polyurethane: 990-023-002
Seal kit - Cartridge	Viton: 990-023-006

OPTION SELECTION EXAMPLE: CVGVXCFN

	(X)	(C)	(E)	MATERIAL/COATING	(/LH)
X	C 30 psi (2 bar)	E EPDM	/LH -		
	A 4 psi (0,3 bar)	N	/AP		
	B 15 psi (1 bar)	V	Standard Material/Coating		
	D 50 psi (3,5 bar)				
	E 75 psi (5 bar)				
	F 100 psi (7 bar)				

TECHNICAL FEATURES

- 75psi 5bar
- 4 5000psi 350bar
-
- 4 4
- 4000 1 0.07cc
-
-
-
- 4
- Sun
-

PERFORMANCE CURVES

