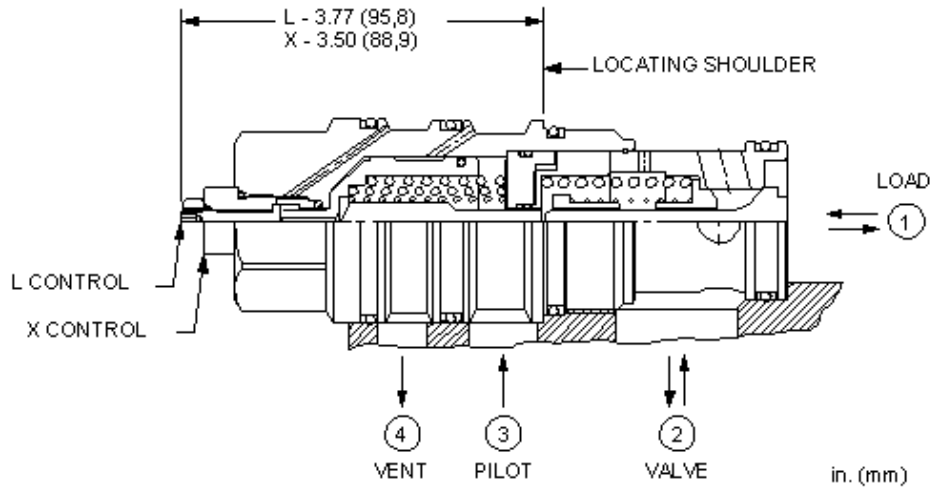


CONFIGURATION

X	
E	75 psi (5 bar)
Material/Coating	



TECHNICAL DATA

	350 bar
	3:1
110 SUS (24 cSt)	0,07 cc/min.
	2,3 mm
	11,1 mm
Seal kit - Cartridge	Buna: 990-024-007
Seal kit - Cartridge	EPDM: 990-024-014
Seal kit - Cartridge	Polyurethane: 990-024-002
Seal kit - Cartridge	Viton: 990-024-006
Seal kit - Cartridge	Buna: 990-024-007
Seal kit - Cartridge	EPDM: 990-024-014
Seal kit - Cartridge	Polyurethane: 990-024-002
Seal kit - Cartridge	Viton: 990-024-006

CONFIGURATION OPTIONS

Model Code Example: CVIVXEFN

(X)	(E)	(V)	MATERIAL/COATING	(/LH)
X	E 75 psi (5 bar)	V	/LH -	
L	A 4 psi (0,3 bar) B 15 psi (1 bar) C 30 psi (2 bar) D 50 psi (3,5 bar) F 100 psi (7 bar)	N	/AP	Standard Material/Coating