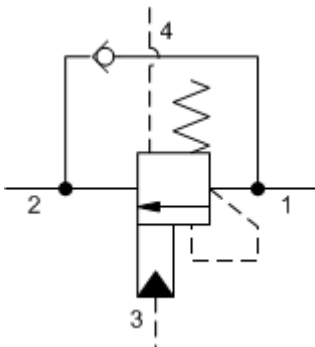
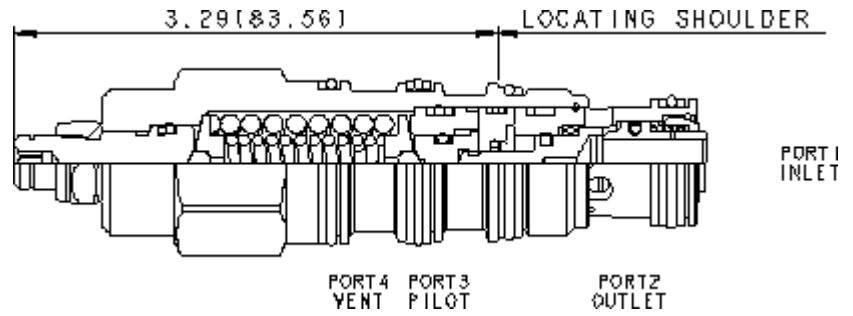


4-Port Vented



4-Port Vented, Non-adjustable



TECHNICAL DATA NOTE: DATA MAY VARY BY CONFIGURATION. SEE CONFIGURATION SECTION.

Pilot Ratio	5:1
Maximum Recommended Load Pressure at Maximum Setting	320 bar
Maximum Setting	420 bar
Adjustment - No. of CCW Turns from Min. to Max. Setting	5
Check Cracking Pressure	1,7 bar
Factory Pressure Settings Established at	30 cc/min.
Maximum Valve Leakage at Reseat	0,3 cc/min.
Reseat	>85% of setting
Locknut Hex Size	15 mm
Locknut Torque	9 - 10 Nm
Seal kit - Cartridge	Buna: 990-022-007
Seal kit - Cartridge	Polyurethane: 990-022-002
Seal kit - Cartridge	Viton: 990-022-006
Seal kit - Cartridge	Buna: 990-022-007
Seal kit - Cartridge	Polyurethane: 990-022-002
Seal kit - Cartridge	Viton: 990-022-006

CONFIGURATION OPTIONS

CONTROL

- L** Standard Screw Adjustment
- C** Tamper Resistant - Factory Set

(L)

Model Code Example: CW EGLN

(L) FUNCTIONAL SETTING RANGE (G)

- G** 2000 - 6000 psi (140 - 420 bar),
4000 psi (280 bar) Standard Setting
- F** 1000 - 2500 psi (70 - 175 bar),
2000 psi (140 bar) Standard Setting

(G)

SEAL MATERIAL

- N** Buna-N
- V** Viton

(N)

MATERIAL/COATING

- Standard Material/Coating
- /AP** Stainless Steel, Passivated
- /LH** Mild Steel, Zinc-Nickel