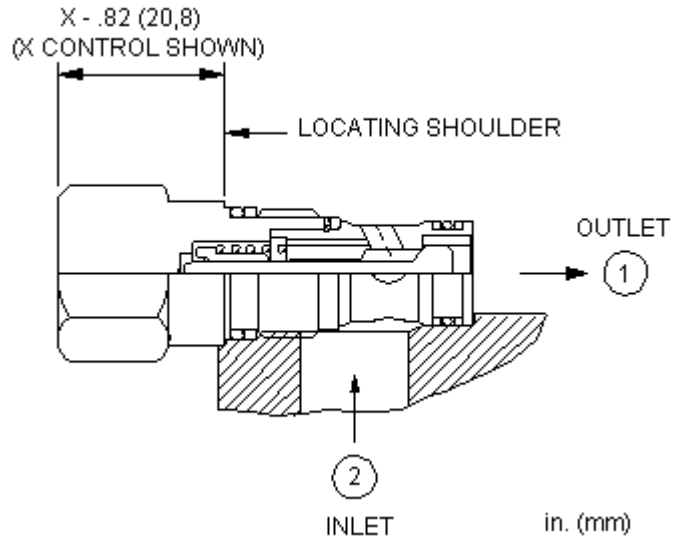


CONFIGURATION

X	Control	Not Adjustable
C	Nominal Control Pressure	30 psi (2 bar)
	Seal Material	
	Material/Coating	



Free-flow, side-to-nose check valves are on/off circuit components that allow free flow from the inlet (port 2) to the outlet (port 1) and block flow in the opposite direction.

TECHNICAL DATA

Maximum Operating Pressure	5000 psi
Maximum Valve Leakage at 110 SUS (24 cSt)	1 drops/min.
Seal kit - Cartridge	Buna: 990-162-007
Seal kit - Cartridge	EPDM: 990-162-014
Seal kit - Cartridge	Polyurethane: 990-162-002
Seal kit - Cartridge	Viton: 990-162-006

CONFIGURATION OPTIONS

Model Code Example: CXADXCDN

CONTROL (X)	NOMINAL CONTROL PRESSURE (C)	SEAL MATERIAL (N)	MATERIAL/COATING (/LH)
X Not Adjustable	C 30 psi (2 bar)	N Buna-N	/LH Mild Steel, Zinc-Nickel
	A 4 psi (0,3 bar)	E EPDM	/AP Stainless Steel, Passivated
	D 50 psi (3,5 bar)	V Viton	Standard Material/Coating
	E 75 psi (5 bar)		