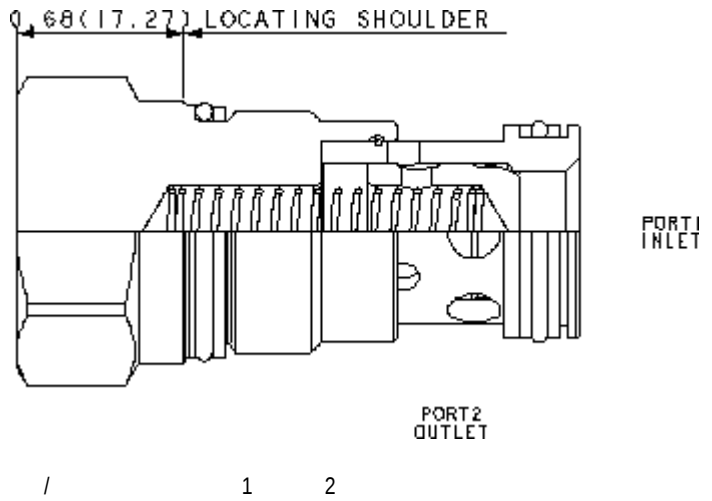


CONFIGURATION

X	
A	4 psi (0,3 bar)
N	
Material/Coating	



TECHNICAL DATA NOTE: DATA MAY VARY BY CONFIGURATION. SEE CONFIGURATION SECTION.

	T-5A
	2
	160 L/min.
	350 bar
110 SUS (24 cSt)	0,07 cc/min.
	28,6 mm
	61 - 68 Nm
	0.18 kg.
Seal kit - Cartridge	Buna: 990-203-007
Seal kit - Cartridge	EPDM: 990-203-014
Seal kit - Cartridge	Viton: 990-203-006
Seal kit - Cartridge	Buna: 990-203-007
Seal kit - Cartridge	EPDM: 990-203-014
Seal kit - Cartridge	Viton: 990-203-006

OPTION SELECTION EXAMPLE: CXFAXAN

	(X)	(A)	(N)	MATERIAL/COATING	(/LH)
X	A	4 psi (0,3 bar)	N	/LH	-
	B	15 psi (1 bar)	E	EPDM	/AP
	C	30 psi (2 bar)	V		Standard Material/Coating
	D	50 psi (3,5 bar)			
	E	75 psi (5 bar)			
	F	100 psi (7 bar)			
	Z	1 psi (0,07 bar)			

TECHNICAL FEATURES

-
-
- 1 2 5000psi 350bar
- EPDM
- "AP"
- Sun

PERFORMANCE CURVES

