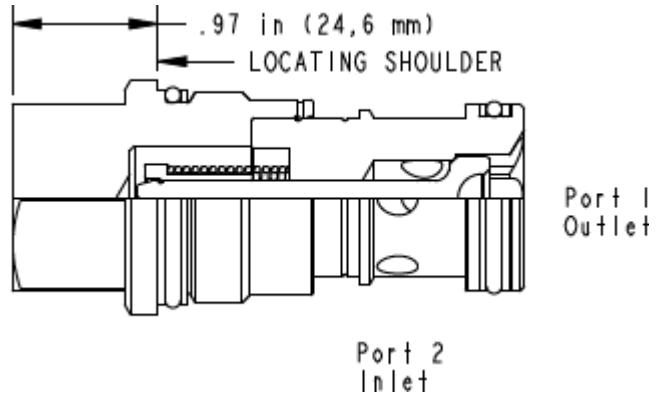


CONFIGURATION

X Control	Not Adjustable
C Cracking Pressure	30 psi (2 bar)
N Seal Material	Buna-N
Material/Coating	



TECHNICAL DATA

Maximum Operating Pressure	350 bar
Maximum Valve Leakage at 110 SUS (24 cSt)	0,07 cc/min.
Seal kit - Cartridge	Buna: 990-016-007
Seal kit - Cartridge	EPDM: 990-016-014
Seal kit - Cartridge	Polyurethane: 990-016-002
Seal kit - Cartridge	Viton: 990-016-006
Seal kit - Cartridge	Buna: 990-016-007
Seal kit - Cartridge	EPDM: 990-016-014
Seal kit - Cartridge	Polyurethane: 990-016-002
Seal kit - Cartridge	Viton: 990-016-006

CONFIGURATION OPTIONS

Model Code Example: CXGDXCN

CONTROL	(X)	CRACKING PRESSURE	(C)	SEAL MATERIAL	(N)	MATERIAL/COATING	(/LH)
X Not Adjustable		C 30 psi (2 bar)		N Buna-N		/LH Mild Steel, Zinc-Nickel	
L activador manual		F 100 psi (7 bar)		E EPDM		/AP Stainless Steel, Passivated	
		Z 1 psi (0,07 bar)		V Viton		Standard Material/Coating	