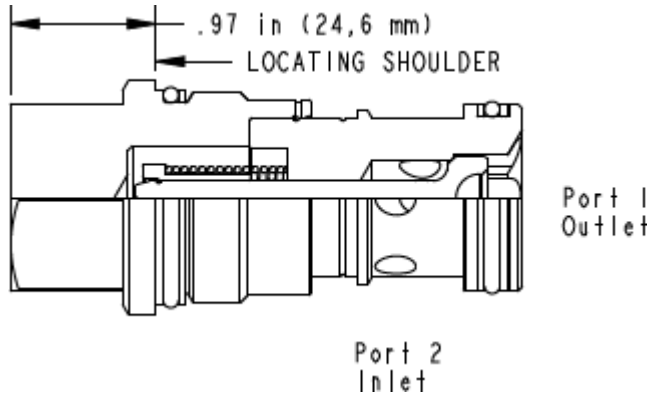


**CONFIGURATION**

X	
C	30 psi (2 bar)
N	
Material/Coating	



**TECHNICAL DATA**

	350 bar
110 SUS (24 cSt)	0,07 cc/min.
Seal kit - Cartridge	Buna: 990-016-007
Seal kit - Cartridge	EPDM: 990-016-014
Seal kit - Cartridge	Polyurethane: 990-016-002
Seal kit - Cartridge	Viton: 990-016-006
Seal kit - Cartridge	Buna: 990-016-007
Seal kit - Cartridge	EPDM: 990-016-014
Seal kit - Cartridge	Polyurethane: 990-016-002
Seal kit - Cartridge	Viton: 990-016-006

**CONFIGURATION OPTIONS**

**Model Code Example: CXGDXCN**

(X)	(C)	(N)	MATERIAL/COATING	(/LH)
<b>X</b>	<b>C</b> 30 psi (2 bar)	<b>N</b>	<b>/LH</b> -	
L	A 4 psi (0,3 bar)	E EPDM	/AP	
	B 15 psi (1 bar)	V		Standard Material/Coating
	D 50 psi (3,5 bar)			
	E 75 psi (5 bar)			
	F 100 psi (7 bar)			
	Z 1 psi (0,07 bar)			