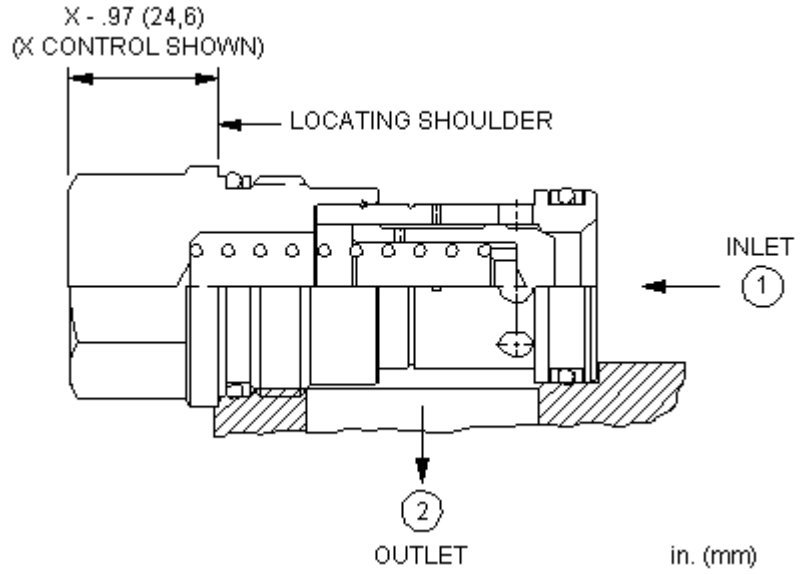


**CONFIGURATION**

X	Control	Not Adjustable
C	Cracking Pressure	30 psi (2 bar)
	Seal Material	
	Material/Coating	



**TECHNICAL DATA**

Seal kit - Cartridge	Buna: 990-016-007
Seal kit - Cartridge	EPDM: 990-016-014
Seal kit - Cartridge	Polyurethane: 990-016-002
Seal kit - Cartridge	Viton: 990-016-006

**CONFIGURATION OPTIONS**

**Model Code Example: CXHAXCFN**

CONTROL	(X)	CRACKING PRESSURE	(C)	SEAL MATERIAL	(N)	MATERIAL/COATING	(/LH)
<b>X</b> Not Adjustable		<b>C</b> 30 psi (2 bar)		<b>N</b> Buna-N		<b>/LH</b> Mild Steel, Zinc-Nickel	
L activador manual		A 4 psi (0,3 bar)		E EPDM		/AP Stainless Steel, Passivated	
		B 15 psi (1 bar)		V Viton		Standard Material/Coating	
		D 50 psi (3,5 bar)					
		E 75 psi (5 bar)					
		F 100 psi (7 bar)					