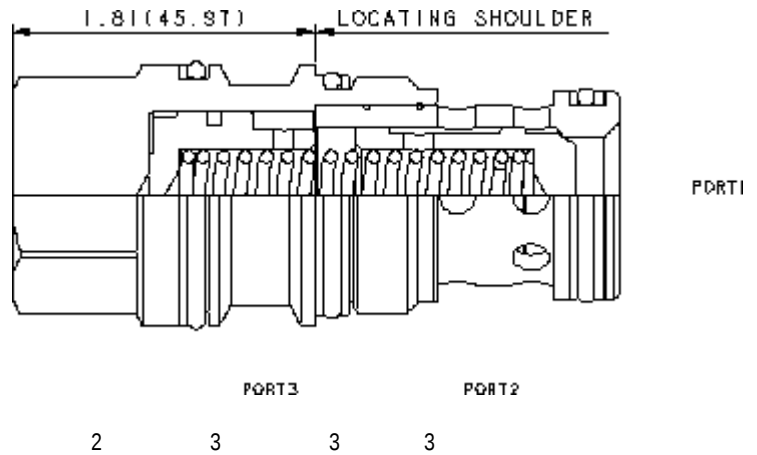


**CONFIGURATION**

X	
C	30 psi (2 bar)
N	
	Material/Coating



**TECHNICAL DATA**

	350 bar
110 SUS (24 cSt)	0,07 cc/min.
Seal kit - Cartridge	Buna: 990-017-007
Seal kit - Cartridge	Polyurethane: 990-017-002
Seal kit - Cartridge	Viton: 990-017-006

**CONFIGURATION OPTIONS**

Model Code Example: CXHCXCN

(X)	(C)	(N)	MATERIAL/COATING
X	C 30 psi (2 bar) A 4 psi (0,3 bar) B 15 psi (1 bar) D 50 psi (3,5 bar) E 75 psi (5 bar) F 100 psi (7 bar)	N V	Standard Material/Coating /LH -