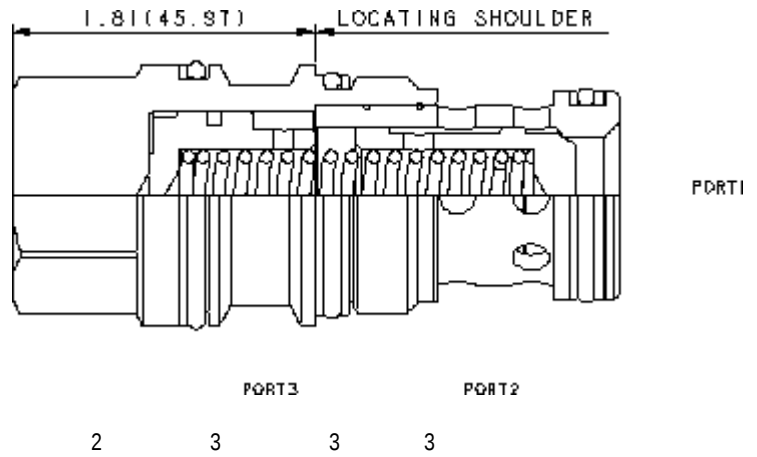


**CONFIGURATION**

X	
C	30 psi (2 bar)
N	
Material/Coating	



**TECHNICAL DATA** NOTE: DATA MAY VARY BY CONFIGURATION. SEE CONFIGURATION SECTION.

	T-17A
	3
	320 L/min.
	350 bar
110 SUS (24 cSt)	0,07 cc/min.
	31,8 mm
	203 - 217 Nm
Seal kit - Cartridge	Buna: 990-017-007
Seal kit - Cartridge	Polyurethane: 990-017-002
Seal kit - Cartridge	Viton: 990-017-006

# OPTION SELECTION EXAMPLE: CXHCXCN

	(X)	(C)	(N)	MATERIAL/COATING
<b>X</b>	<b>C</b> 30 psi (2 bar)	<b>N</b>	<b>V</b>	Standard Material/Coating
	A 4 psi (0,3 bar)			/LH -
	B 15 psi (1 bar)			
	D 50 psi (3,5 bar)			
	E 75 psi (5 bar)			
	F 100 psi (7 bar)			

## TECHNICAL FEATURES

- 1 0.07cc/min
- Sun

## PERFORMANCE CURVES

