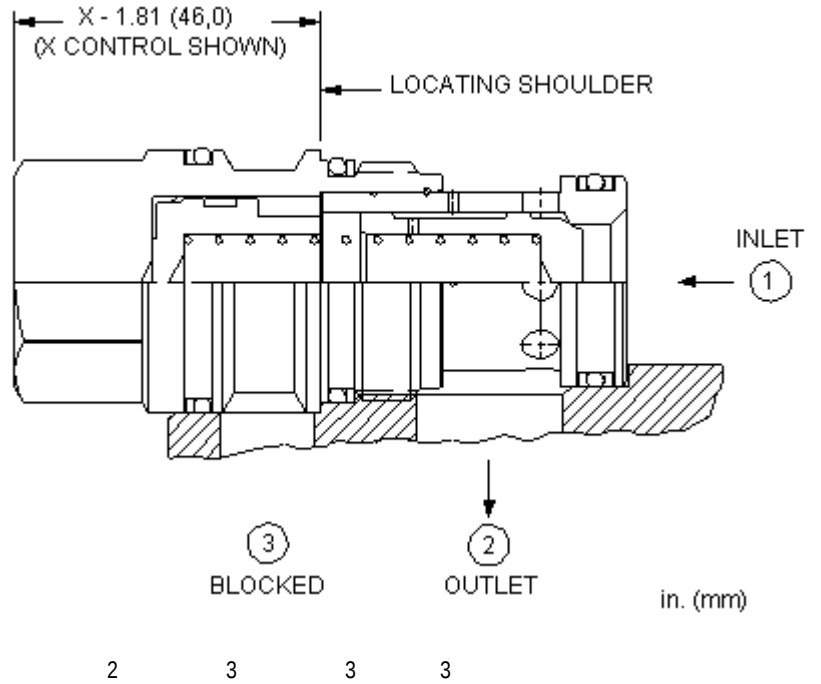


CONFIGURATION

X	
E	75 psi (5 bar)
Material/Coating	



TECHNICAL DATA

	350 bar
110 SUS (24 cSt)	0,07 cc/min.
Seal kit - Cartridge	Buna: 990-017-007
Seal kit - Cartridge	Polyurethane: 990-017-002
Seal kit - Cartridge	Viton: 990-017-006
Seal kit - Cartridge	Buna: 990-017-007
Seal kit - Cartridge	Polyurethane: 990-017-002
Seal kit - Cartridge	Viton: 990-017-006

CONFIGURATION OPTIONS

Model Code Example: CXHCXEFN

(X)	(E)	(V)	MATERIAL/COATING
X	E 75 psi (5 bar)	V	Standard Material/Coating
	A 4 psi (0,3 bar)	N	/LH -
	B 15 psi (1 bar)		
	C 30 psi (2 bar)		
	D 50 psi (3,5 bar)		
	F 100 psi (7 bar)		
	Z 1 psi (0,07 bar)		