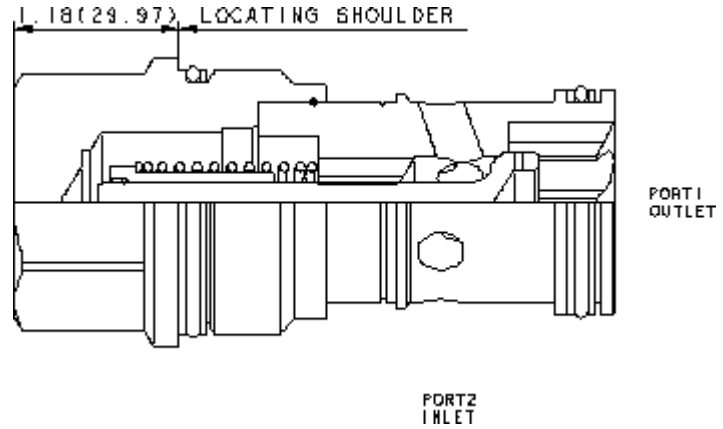


CONFIGURATION

X Control	Not Adjustable
C Cracking Pressure	30 psi (2 bar)
N Seal Material	Buna-N
Material/Coating	



TECHNICAL DATA

Maximum Operating Pressure	350 bar
Maximum Valve Leakage at 110 SUS (24 cSt)	0,07 cc/min.
Seal kit - Cartridge	Buna: 990-018-007
Seal kit - Cartridge	EPDM: 990-018-014
Seal kit - Cartridge	Polyurethane: 990-018-002
Seal kit - Cartridge	Viton: 990-018-006
Seal kit - Cartridge	Buna: 990-018-007
Seal kit - Cartridge	EPDM: 990-018-014
Seal kit - Cartridge	Polyurethane: 990-018-002
Seal kit - Cartridge	Viton: 990-018-006

CONFIGURATION OPTIONS

Model Code Example: CXIDXCN

CONTROL (X)	CRACKING PRESSURE (C)	SEAL MATERIAL (N)	MATERIAL/COATING (/LH)
X Not Adjustable	C 30 psi (2 bar)	N Buna-N	/LH Mild Steel, Zinc-Nickel
L activador manual	F 100 psi (7 bar)	E EPDM	/AP Stainless Steel, Passivated
	Z 1 psi (0,07 bar)	V Viton	Standard Material/Coating