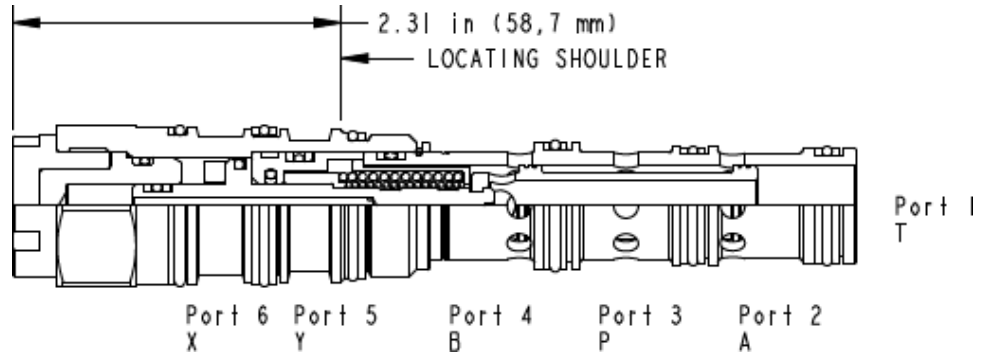


X-Control, X-Spool



2 4      6      9      3      5000psi(350 bar)

**TECHNICAL DATA** NOTE: DATA MAY VARY BY CONFIGURATION. SEE CONFIGURATION SECTION.

	10,5 bar
110 SUS (24 cSt)	30 cc/min.@70 bar
Seal kit - Cartridge	Buna: 990-062-007
Seal kit - Cartridge	Polyurethane: 990-062-002
Seal kit - Cartridge	Viton: 990-062-006
Seal kit - Cartridge	Buna: 990-062-007
Seal kit - Cartridge	Polyurethane: 990-062-002
Seal kit - Cartridge	Viton: 990-062-006

**CONFIGURATION OPTIONS**

Model Code Example: DCDFXCXYN

(X)	(C)	(N)	MATERIAL/COATING
<b>X</b>	<b>C</b>	<b>N</b>	Standard Material/Coating
	A A-T	E EPDM	/AP
	B B-T	V	/LH -
	H		
	R P-A-B		
	T P-T		
	W A B T		
	X		
	Y A-B-T		