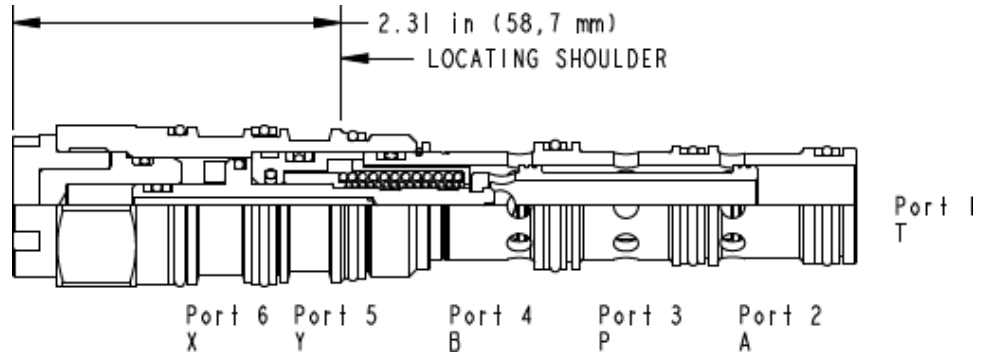


X-Control, X-Spool



2 4 6 9 3 5000psi(350 bar)

TECHNICAL DATA NOTE: DATA MAY VARY BY CONFIGURATION. SEE CONFIGURATION SECTION.

	T-62A
	2
	38 - 120 L/min.
	10,5 bar
	0,98 cc
110 SUS (24 cSt)	30 cc/min.@70 bar
	28,6 mm
	61 - 68 Nm
	0,35 kg
Seal kit - Cartridge	Buna: 990-062-007
Seal kit - Cartridge	Polyurethane: 990-062-002
Seal kit - Cartridge	Viton: 990-062-006
Seal kit - Cartridge	Buna: 990-062-007
Seal kit - Cartridge	Polyurethane: 990-062-002
Seal kit - Cartridge	Viton: 990-062-006

OPTION SELECTION EXAMPLE: DCDFXCXYN

	(X)	(C)	(N)	MATERIAL/COATING
X	C	N	Standard Material/Coating	
	A A-T	E EPDM	/AP	
	B B-T	V	/LH	-
	H			
	R P-A-B			
	T P-T			
	W A B T			
	X			
	Y A-B-T			

TECHNICAL FEATURES

- 5000psi 350bar x y 5 6
-
-
- 5,6
- EPDM
-
- Sun

PERFORMANCE CURVES

