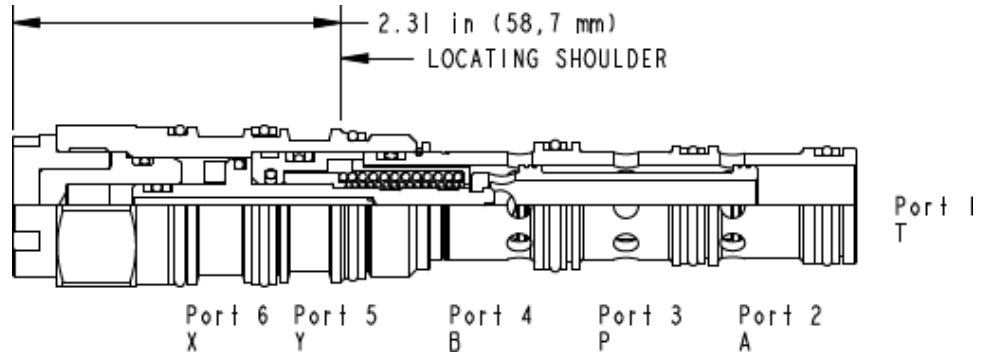


X-Control, X-Spool



TECHNICAL DATA NOTE: DATA MAY VARY BY CONFIGURATION. SEE CONFIGURATION SECTION.

Seal kit - Cartridge	Buna: 990-062-007
Seal kit - Cartridge	Polyurethane: 990-062-002
Seal kit - Cartridge	Viton: 990-062-006

CONFIGURATION OPTIONS

Model Code Example: DCDFXXN

CONTROL	(X)	SPOOL CONFIGURATION	(X)	SEAL MATERIAL	(N)	MATERIAL/COATING
X Not Adjustable		X P to A and B to T Center		N Buna-N		Standard Material/Coating
		A A to T Center		E EPDM		/AP Stainless Steel, Passivated
		B B to T Center		V Viton		/LH Mild Steel, Zinc-Nickel
		C Blocked Crossover				
		H Open Crossover				
		R Regen Center				
		T Tandem Center				
		W A and B Bleed to T Center				
		Y A and B to T Center				