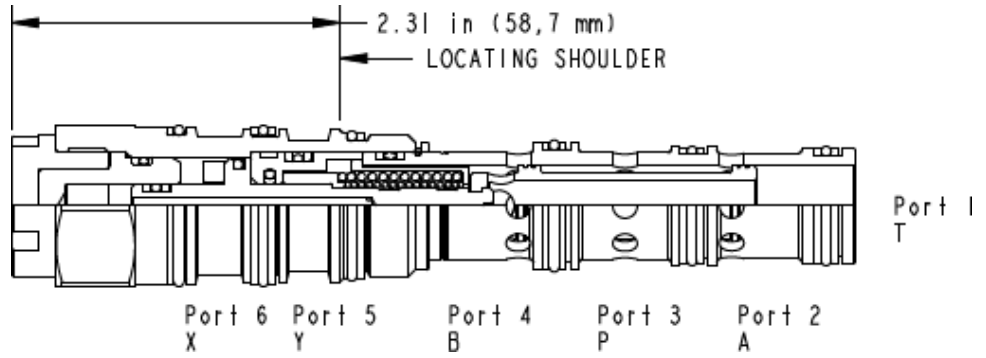


X-Control, X-Spool



2 4 6 9 3 5000psi(350 bar)

TECHNICAL DATA NOTE: DATA MAY VARY BY CONFIGURATION. SEE CONFIGURATION SECTION.

	10,5 bar
110 SUS (24 cSt)	30 cc/min.@70 bar
Seal kit - Cartridge	Buna: 990-062-007
Seal kit - Cartridge	Polyurethane: 990-062-002
Seal kit - Cartridge	Viton: 990-062-006

CONFIGURATION OPTIONS

Model Code Example: DCDFXXN

(X)	(X)	(N)	MATERIAL/COATING
X	X	N	Standard Material/Coating
	A A-T	E EPDM	/AP
	B B-T	V	/LH -
	C		
	H		
	R P-A-B		
	T P-T		
	W A B T		
	Y A-B-T		