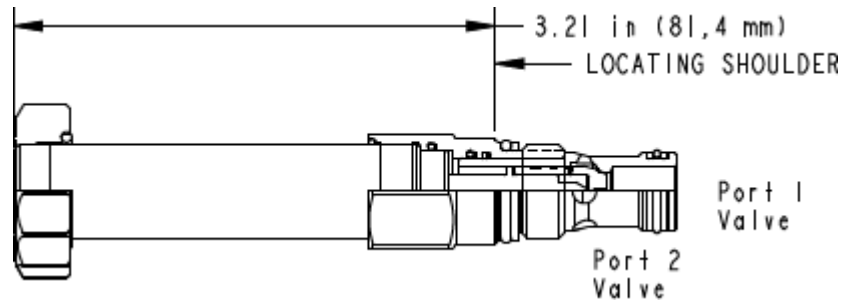


X-Control, C-Poppet



FLeX 2 2

2 1 2 1

1 2

**TECHNICAL DATA** NOTE: DATA MAY VARY BY CONFIGURATION. SEE CONFIGURATION SECTION.

	210 bar
110 SUS (24 cSt)	0,07 cc/min.@210 bar
	3,5 bar
	2,8 - 380 cSt
	50 ms
	15,000 max. cycles/hr
Seal kit - Cartridge	Buna: 990-162-007
Seal kit - Cartridge	Viton: 990-162-006
Seal kit - Cartridge	Buna: 990-162-007
Seal kit - Cartridge	Viton: 990-162-006

- Sun
- 2.00 inches (50,8 mm)

**CONFIGURATION OPTIONS**

Model Code Example: DFBDXCN

(X)

(C)

(N)

<b>X</b>	<b>C</b>	<b>N</b>	
D /	H	E EPDM	
L		V	
M			
P			
T ( )			