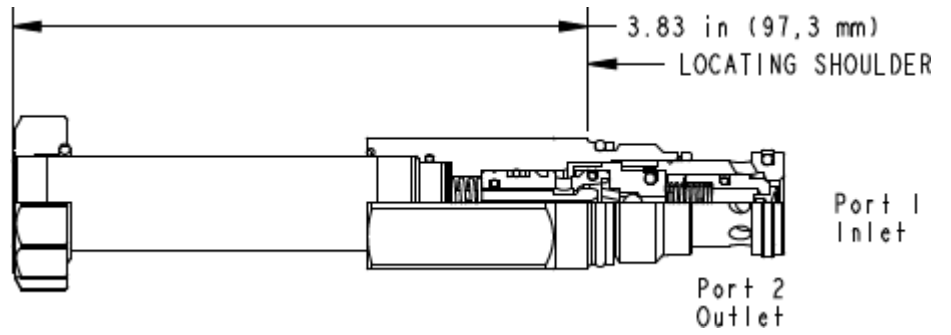


X-Control, C-Poppet



2 2

740 747

TECHNICAL DATA NOTE: DATA MAY VARY BY CONFIGURATION. SEE CONFIGURATION SECTION.

	350 bar
110 SUS (24 cSt)	0,7 cc/min.@350 bar
	3,5 bar
	30 ms
	15,000 max. cycles/hr
Seal kit - Cartridge	Buna: 990-310-007
Seal kit - Cartridge	EPDM: 990-310-014
Seal kit - Cartridge	Viton: 990-310-006
Seal kit - Cartridge	Buna: 990-310-007
Seal kit - Cartridge	EPDM: 990-310-014
Seal kit - Cartridge	Viton: 990-310-006

CONFIGURATION OPTIONS

Model Code Example: DFCIXCN

(X)

(C)

(N)

X
D /
L
M
T ()

C
H

N
E EPDM
V

[Redacted]